



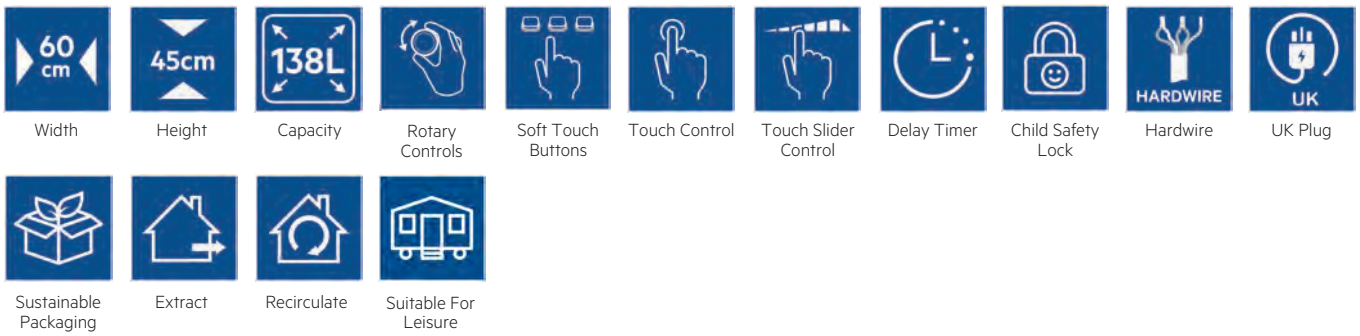
KITCHEN

APPLIANCE COLLECTION

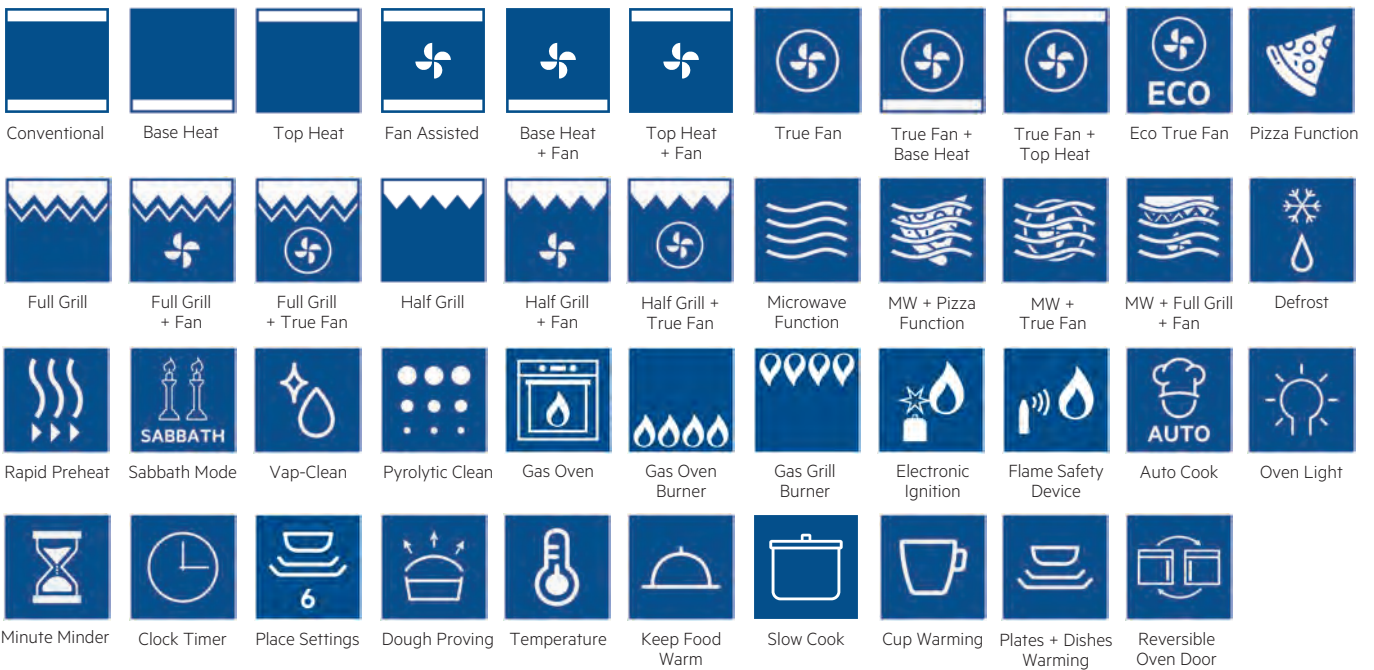


FEATURES & FUNCTIONS ICONOGRAPHY

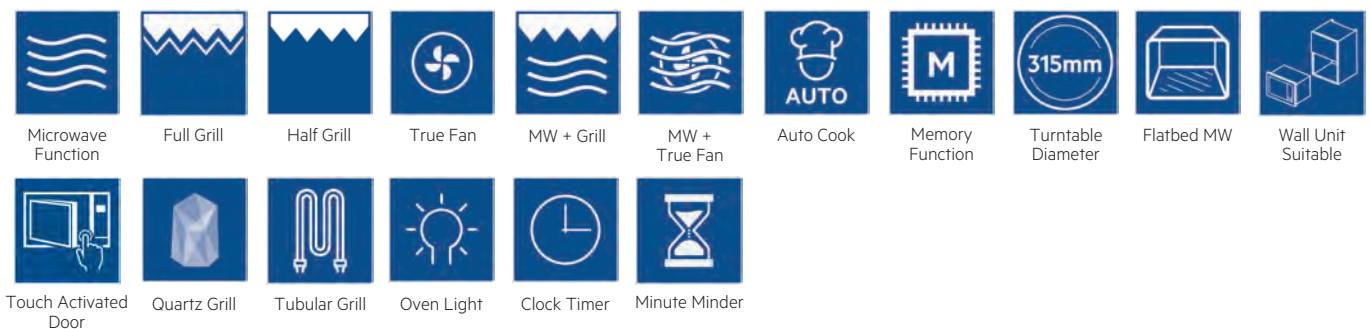
FREQUENT ICONS



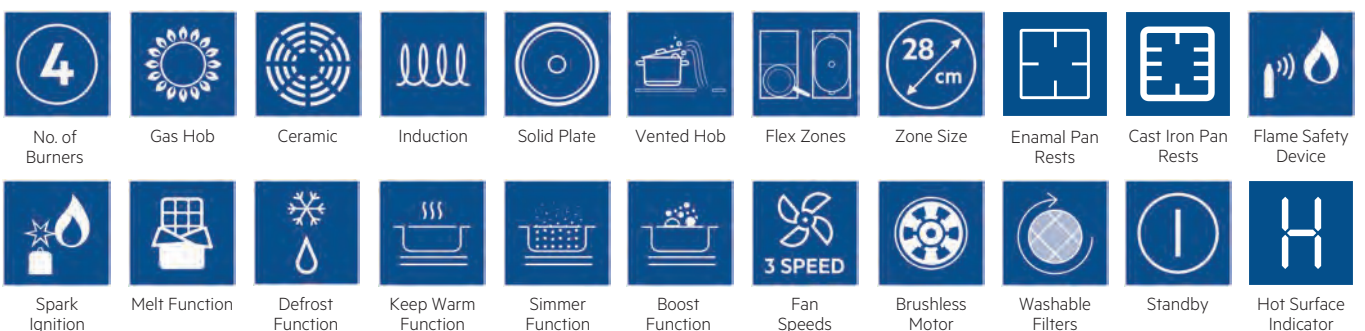
OVENS, COMPACTS & WARMING DRAWERS



MICROWAVES

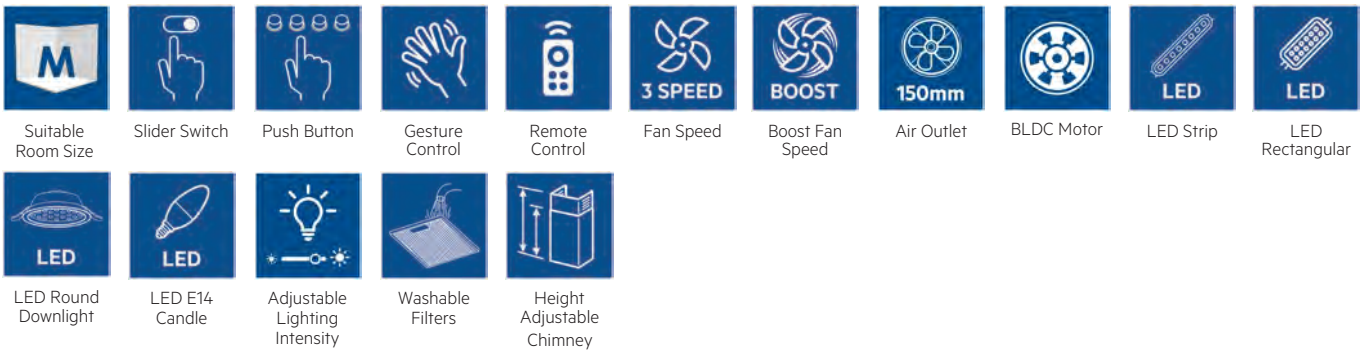


HOBS

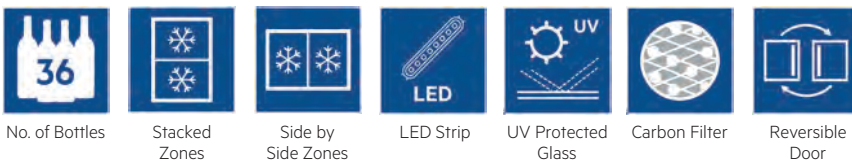


FEATURES & FUNCTIONS ICONOGRAPHY

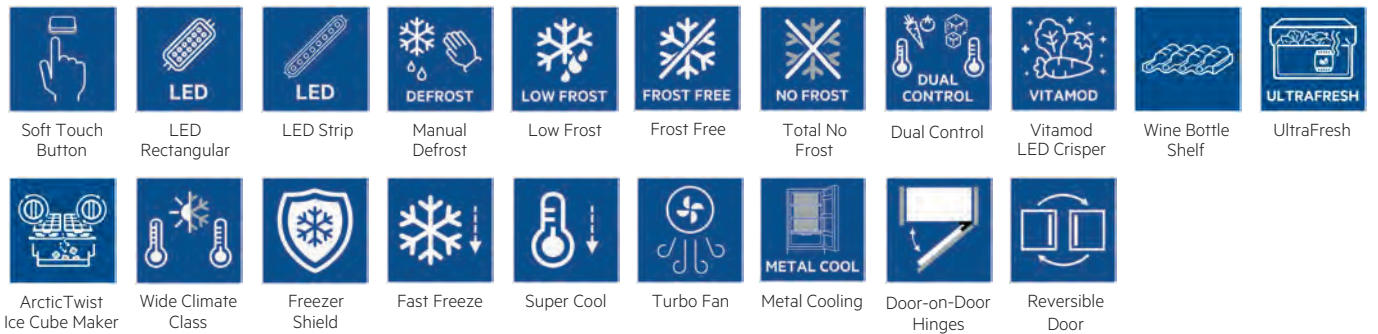
HOODS



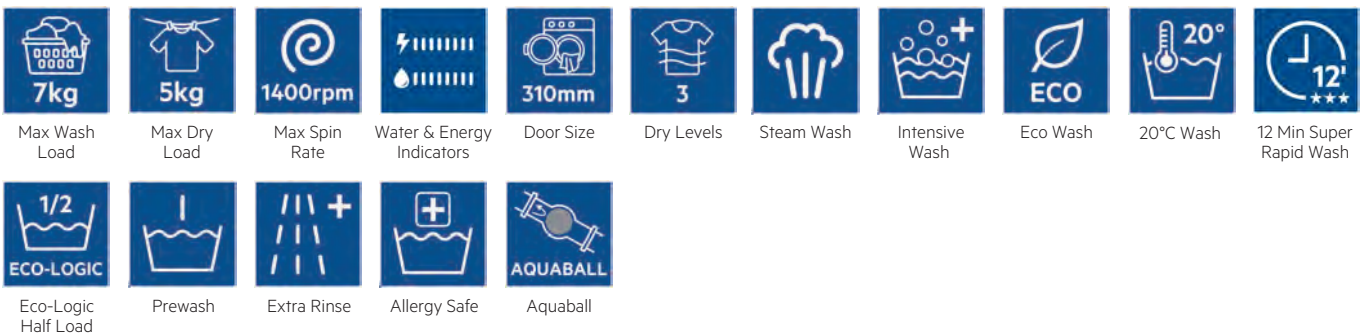
WINE COOLERS



REFRIGERATION



LAUNDRY



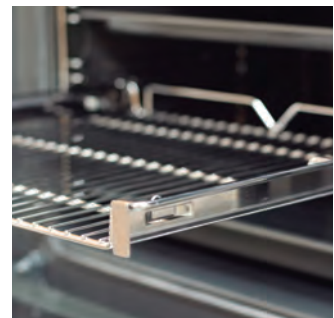
DISHWASHERS





We make every reasonable effort to ensure the accuracy and validity of the information provided in our brochures. However, as policies, price points, dates, conditions, and information are continually changing, **CATA UK / APELSON APPLIANCES UK LTD.** reserve the right to change at any time without notice. Non-contractual photographs. The technical characteristics indicated in the catalogue must be verified by the **THE MANUFACTURER**.

© Design, layout, images and content are the property of CATA / APELSON APPLIANCES UK LTD.



KITCHEN APPLIANCE COLLECTION



Welcome

Apelson Appliances with our brand CATA are specialists in the built in market committed to offering the latest in technology and design. Our proposition to the market is very unique as we offer a full suite of built in appliances that are unbranded therefore allowing our trading partners to market under their own brand or with our brand CATA.

Apelson Appliances UK Ltd is a subsidiary of the Cata Group who are a global leader in the home appliances sector with recognition across the world. The Cata Group have been developing our products for more than 70 years and strive to offer excellent products in both design and performance. Since the beginning Cata Group has been a pioneer in the domestic extraction and hob business, with a wide range of products covering all major domestic appliance categories.

Our UK head office is located in Normanton, near Castleford, West Yorkshire and it's from here we operate a fully employed and dedicated service and sales support teams, in addition to our supply chain, logistics, quality, technical, product management and marketing teams.



An endorsement of our range and its quality is the 5 year parts and 3 years labour warranty we offer on Cata branded products, with 5 year parts and 2 years labour on unbranded products.



Cata UK offices and warehousing at Normanton, West Yorkshire, UK





About CATA UK	p5-6
The Cata Family Structure	p7-8
Ovens & Compacts	p9-28
Microwaves	p29-42
Hobs	p43-70
Cooker Hoods	p71-100
Cooking Accessories	p101-104
Wine Coolers	p105-116
Refrigeration	p117-130
Laundry	p131-138
Dishwashers	p139-146
Cata UK Guarantee	p147
Customer Services	p147



Spanish Heritage

Cata Electrodomésticos, S.L., established in 1947 in Torelló, Spain, is a renowned leader in the household appliance industry with a rich history of innovation and excellence. As pioneers in domestic extraction, we've continuously grown our expertise. We offer a comprehensive range of high quality home appliances, including stylish cooker hoods, state-of-the-art hobs, high performing ovens, compacts, microwaves, dishwashers, washing machines, refrigerators, and wine coolers.

Our Values & Experience

Our commitment to customers drives our design and development, guided by research and an understanding of evolving needs. We create innovative, functional, efficient, durable, and reliable solutions with sustainability in mind, using premium components and cutting-edge techniques. With over seven decades of expertise, we craft each product with precision to meet the highest standards, ensuring exceptional quality and reliability.



Cata UK Service Aftercare

At Cata UK Appliances care of Apelson Appliances UK Ltd, we are dedicated to supporting the full life cycle of our products, ensuring they continue to perform at their best for years to come.

Our highly skilled, in-house Service Team are readily available to provide expert assistance whenever you need it. With a remarkable 90% first-time fix rate across our entire range, we are committed to resolving issues efficiently and effectively.

Energy Efficiency & Environment

We combine our passion for innovation with a strong commitment to the environment. At Cata, we believe your kitchen can be both stylish and energy-efficient without sacrificing performance. Driven by a vision for a cleaner, more sustainable future, we design appliances that prioritise eco-friendly operation and low energy consumption. Our products are built to reduce environmental impact, promote sustainability, and deliver real savings - benefiting both your home and the planet.



Introducing the Cata UK Collection: Designed for Every Home

We believe that quality, innovation, and affordability should work in harmony to create appliances that enhance everyday living. Our structured range - Cata 100, Cata 300, Cata 500, and Cata 700 - offers a clear path to finding the right solution for every kitchen, whether you're looking for reliable essentials or cutting-edge performance.

CATA 100

CATA 100 - Essential Performance, Everyday Reliability

Designed for practicality and efficiency, the Cata 100 range offers dependable appliances that meet the needs of modern living. With a focus on simplicity and functionality, this collection provides quality and reliability at an accessible price point, making it an excellent choice for everyday kitchens.

CATA 300

CATA 300 - Enhanced Features, Greater Convenience

Step up with the Cata 300 range, where thoughtful design meets improved functionality. This collection offers upgraded features, enhanced performance, and stylish aesthetics, providing a balance between practicality and modern innovation. Perfect for those seeking a little extra in their kitchen.

CATA 500

CATA 500 - Enhanced Design, Exceptional Performance

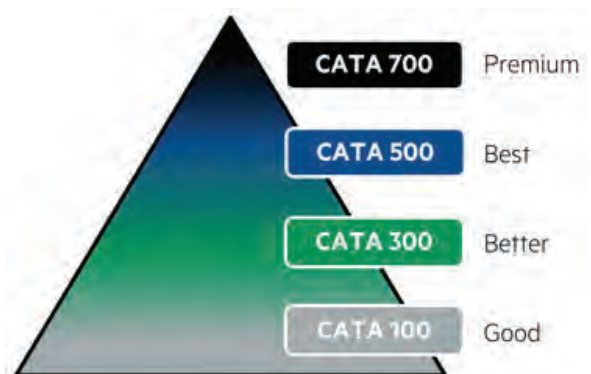
Blending sleek aesthetics with high-performance technology, the Cata 500 range is crafted for those who expect more from their appliances. With superior build quality, intuitive controls, and innovative features, this collection delivers efficiency and style to elevate the heart of the home.

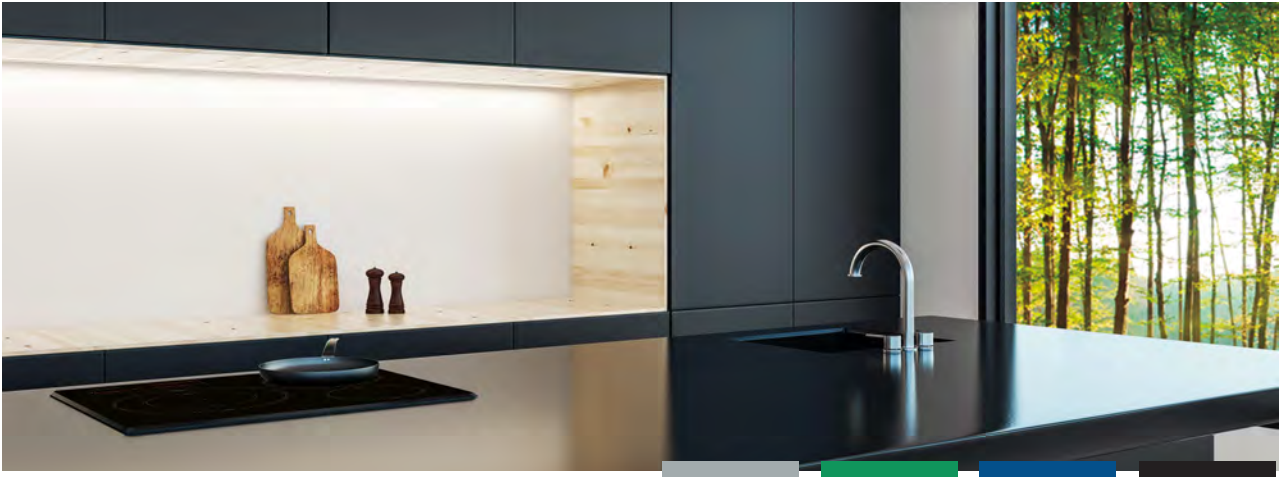
CATA 700










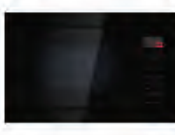






CATA 700 - The Ultimate in Kitchen Innovation

The premium feel edge that your kitchen has been longing for. Sleek, seamlessly designed products that will slide straight in to your kitchen to give it the premium look.

For those who demand the very best, the Cata 700 range represents the pinnacle of kitchen technology and design. This collection redefines home cooking, ensuring unparalleled performance, durability, and elegance.





FAMILY	OVEN	MICROWAVE	HOB	HOOD
CATA 700 Premium Cata Branded	 CAT72PYBK	 CAT45CMBK	 CATIND90HF	 CATAGM90MB
CATA 500 Best Unbranded	 UBC72MF	 UBC45CM	 UBINDFX60MS	 ICON60H
CATA 300 Better Unbranded	 UBO754BK	 UB25MGBK	 UBGOG601BK	 UBSBOX60BK
CATA 100 Good Unbranded	 CUL57MMBK.1	 UBPBK20LC.1	 UBINDE60MT	 UBSCH60BK.1



OVENS



OVEN & COMPACT RANGE OVERVIEW

SINGLE OVENS

CATA 100



CUL57MMSS.1 p15



CUL57MMBK.1 p15



CUL57PGSS.2 p16



CUL57PGBK.2 p16

CATA 300



UBO651SS p17



UBO651BK p17



UBO652SS.1 p18



UBO652BK.1 p18



UBO653SS.1 p19



UBO653BK.1 p19



SWING60SS p20



UBO753SS p21



UBO753BK p21



UBO754SS p22



UBO754BK p22

SINGLE OVENS

CATA 500



UBC72MF p23



UBC72PY p23



UBC45CM p24



UBC14WD p24

CATA 700



CAT72MFBK p25



CAT72PYBK p25



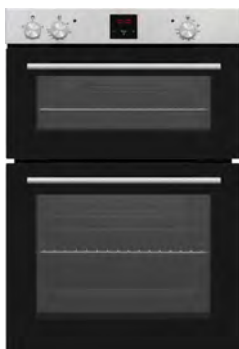
CAT45CMBK p26



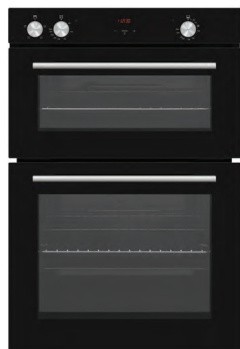
CAT14WDBK p26

DOUBLE OVENS

CATA 300



UBDO901SS.1 p27



UBDO901BK p27

GAS OVENS

CATA 100



UBGMMT60SS p28

CATA OVENS – FEATURES & BENEFITS

Introduction

Discover the Cata oven range, blending versatility and innovation to transform your kitchen. Featuring single electric, double-cavity electric and gas ovens with cavities from 54 to 78 litres, our lineup suits every chef. Opt for high-spec models with pyrolytic self-cleaning for hassle-free upkeep or full touch control for seamless precision. With Cata, you get premium performance, striking design, and cutting-edge convenience, making every meal a triumph, no matter your cooking style.

* Note - not all features are available on all Cata models, please refer to individual model specs for details.



3D

The "3D" cooking function in Cata ovens uses multiple heating elements and a rear fan for even, three-dimensional heat distribution. It's great for baking multiple trays, roasting large joints, or cooking complex dishes like lasagne on all levels. Benefits include uniform cooking without tray rotation, shorter pre-heating time, faster cooking times, greater dough rise for bread, and the ability to prepare diverse foods simultaneously without flavor mixing, ideal for busy or large meals.



Easy Clean Enamel

The easy clean enamel coating in our ovens, is a smooth, non-porous finish applied to the interior that resists grease and food splatter. It prevents staining and burning-on, making it simple to wipe clean with a damp cloth, often without harsh chemicals. This means less scrubbing and maintenance time, prolonged oven cleanliness, and a hygienic surface that reduces bacteria buildup, keeping your oven in top condition with minimal effort.



Vap-Clean

The Vap-Clean function uses steam (water vapour) to loosen grease and food residue inside the oven cavity. A glass of water is poured into the oven base or into a small tray placed at the bottom of the oven. The oven heats the water to create steam that softens debris for easy wiping. Vap-Clean provides a gentler, eco-friendly cleaning method for your oven cavity.



Pyro-Clean

During the pyrolytic cleaning process the oven heats up to approximately 450°C at which the temperature is kept for 1 hour while the door is locked for safety purposes. At this temperature, residues from roasting, grilling and baking are reduced to a thin layer of ash that can simply be wiped away with a damp cloth.

Optimal Cooking

Rapid pre-heating function activates all heating elements to allow the oven to reach the selected temperature as quickly as possible.

True fan cooking to provide uniform distribution of temperature at all levels in the cavity, for even cooking of food.



Telescopic Rails

Telescopic rails are sliding metal tracks attached to the oven's interior, allowing oven shelves to extend out smoothly. They assist easy loading and unloading of heavy trays or dishes, such as roasts or casseroles, without tilting or struggling to reach the back. This allows safer handling with reduced risk of spills, easier access for checking food, and less strain on your wrists, making cooking and cleaning more convenient.



Cool Touch Door

A cool touch oven door, featuring multiple layers of glass and heat reflective coatings, stays safe to touch even during high-temperature cooking.

Advantages are enhanced safety and peace of mind, with reduced burn risks, especially for households with children. It also aids a cooler kitchen environment, making it ideal for busy or family kitchens.



Active Cool

Our Active Cool system helps provide a cooler exterior surface on the oven door, thus extra peace of mind and safety for little hands even during the pyrolytic function.

Standard for our 78L Pyrolytic Built-in Ovens.



Removable Door

All Cata ovens come with removable oven doors, allowing you to take it off its hinges for easier cleaning or maintenance. This provides better access to the glass panels and frame, to remove baked on grease and grime, reducing the risk of injury and simplifying deep cleaning tasks. Removing the door also helps if there is need to replace or repair the door if damaged.



Removable Glass

A removable inner glass panel on an oven door allows you to take it out for thorough cleaning, removing grease and food splatter that builds up between layers. Benefits include easier access to hidden spots, ensuring a spotless and hygienic oven interior.



SLIM DEPTH OVENS



CUL57MMSS.1

4 FUNCTION OVEN

CATA 100

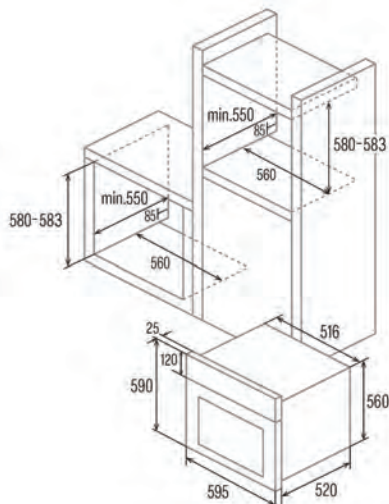


KEY FEATURES

54L Capacity · 4 Functions · Easy Clean Enamel
Slim 530mm Install Depth

SPECIFICATION

- True fan with grill
- Oven light
- Stainless steel control panel
- Aluminium rotary knobs
- Black glass door with aluminium handle
- 1x oven shelf, 1x oven tray, 1x trivet
- A energy rating
- 2350W total power
- Cable with UK plug (13A connection)
- Slim 530mm installation depth
- W595 x H590 x D545 mm



CUL57MMBK.1

4 FUNCTION OVEN

CATA 100



KEY FEATURES

54L Capacity · 4 Functions · Easy Clean Enamel
Slim 530mm Install Depth

SPECIFICATION

- True fan with grill
- Oven light
- Black glass control panel
- Black rotary knobs
- Black glass door with black handle
- 1x oven shelf, 1x oven tray, 1x trivet
- A energy rating
- 2350W total power
- Cable with UK plug (13A connection)
- Slim 530mm installation depth
- W595 x H590 x D545 mm



SLIM DEPTH OVENS



CUL57PGSS.2

4 FUNCTION OVEN

CATA 100

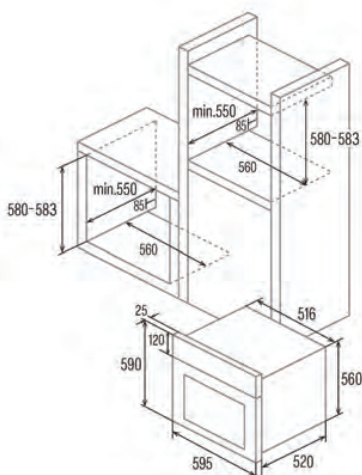


KEY FEATURES

54L Capacity · **4 Functions** · **Easy Clean Enamel**
White LED Touch Programmer
Slim 530mm Install Depth

SPECIFICATION

- True fan with grill
- Oven light
- Stainless steel control panel
- Aluminium rotary knobs
- Black glass door with aluminium handle
- 1x oven shelf, 1x oven tray, 1x trivet
- A energy rating
- 2350W total power
- Cable with UK plug (13A connection)
- Slim 530mm installation depth
- W595 x H590 x D545 mm



CUL57PGBK.2

4 FUNCTION OVEN

CATA 100

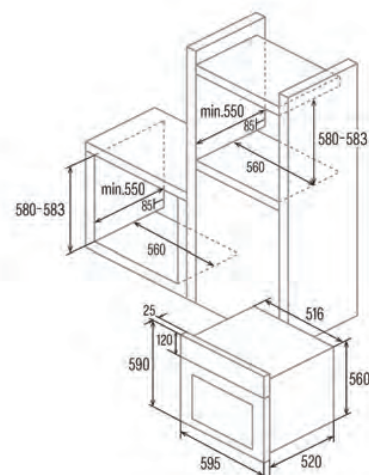


KEY FEATURES

54L Capacity · **4 Functions** · **Easy Clean Enamel**
White LED Touch Programmer
Slim 530mm Install Depth

SPECIFICATION

- True fan with grill
- Oven light
- Black glass control panel
- Black rotary knobs
- Black glass door with black handle
- 1x oven shelf, 1x oven tray, 1x trivet
- A energy rating
- 2350W total power
- Cable with UK plug (13A connection)
- Slim 530mm installation depth
- W595 x H590 x D545 mm



STANDARD OVENS



UBO651SS
4 FUNCTION OVEN

CATA 300

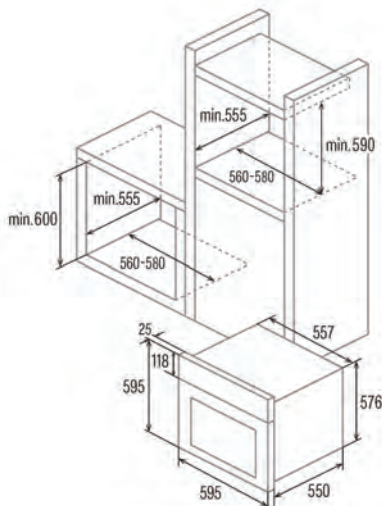


KEY FEATURES

65L Capacity · 4 Functions · Easy Clean Enamel
Minute Minder

SPECIFICATION

- True fan with grill
- Oven light
- Stainless steel control panel
- Silver rotary knobs
- Black glass door with aluminium handle
- 1x oven shelf, 1x oven tray, 1x trivet
- A energy rating
- 2000W total power
- Cable with UK plug (13A connection)
- W595 x H595 x D575 mm



UBO651BK
4 FUNCTION OVEN

CATA 300

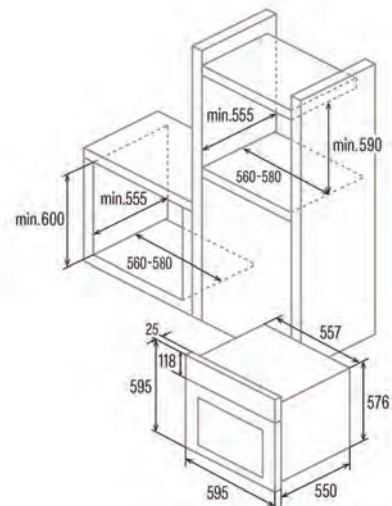


KEY FEATURES

65L Capacity · 4 Functions · Easy Clean Enamel
Minute Minder

SPECIFICATION

- True fan with grill
- Oven light
- Black glass control panel
- Silver rotary knobs
- Black glass door with aluminium handle
- 1x oven shelf, 1x oven tray, 1x trivet
- A energy rating
- 2000W total power
- Cable with UK plug (13A connection)
- W595 x H595 x D575 mm



STANDARD OVENS



UBO652SS.1

4 FUNCTION OVEN

CATA 300

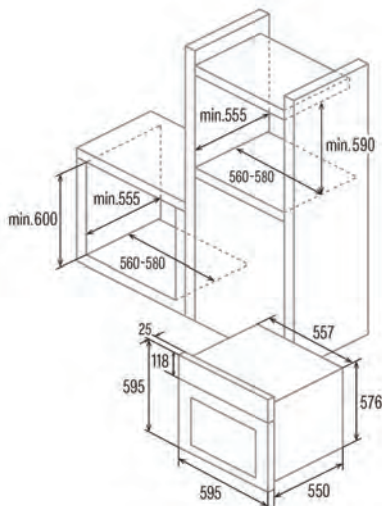


KEY FEATURES

65L Capacity • 4 Functions • Easy Clean Enamel
Red LED Touch Programmer

SPECIFICATION

- True fan with grill
- Oven light
- Stainless steel control panel
- Silver rotary knobs
- Black glass door with aluminium handle
- 1x oven shelf, 1x oven tray, 1x trivet
- A energy rating
- 2000W total power
- Cable with UK plug (13A connection)
- W595 x H595 x D575 mm



UBO652BK.1

4 FUNCTION OVEN

CATA 300

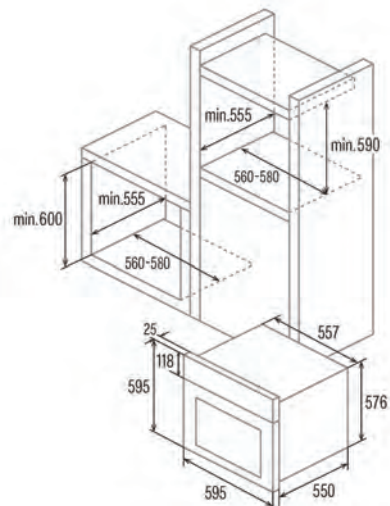


KEY FEATURES

65L Capacity • 4 Functions • Easy Clean Enamel
Red LED Touch Programmer

SPECIFICATION

- True fan with grill
- Oven light
- Black glass control panel
- Silver rotary knobs
- Black glass door with aluminium handle
- 1x oven shelf, 1x oven tray, 1x trivet
- A energy rating
- 2000W total power
- Cable with UK plug (13A connection)
- W595 x H595 x D575 mm



STANDARD OVENS



UBO653SS.1
MULTIFUNCTION OVEN

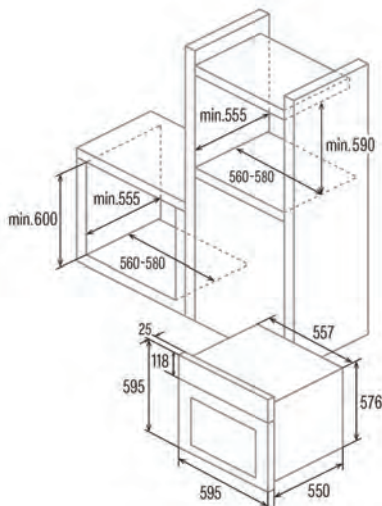


KEY FEATURES

65L Capacity • 9 Functions • Easy Clean Enamel
Red LED Touch Programmer

SPECIFICATION

- True fan with grill
- Oven light
- Stainless steel control panel
- Silver rotary knobs
- Black glass door with aluminium handle
- 1x oven shelf, 1x oven tray, 1x trivet
- A energy rating
- 2600W total power
- Cable with UK plug (13A connection)
- W595 x H595 x D575 mm



UBO653BK.1
MULTIFUNCTION OVEN

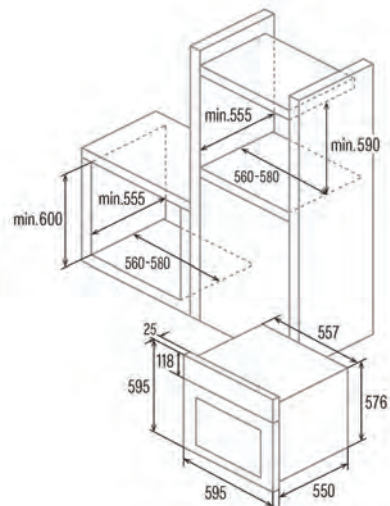


KEY FEATURES

65L Capacity • 9 Functions • Easy Clean Enamel
Red LED Touch Programmer

SPECIFICATION

- True fan with grill
- Oven light
- Black glass control panel
- Silver rotary knobs
- Black glass door with aluminium handle
- 1x oven shelf, 1x oven tray, 1x trivet
- A energy rating
- 2600W total power
- Cable with UK plug (13A connection)
- W595 x H595 x D575 mm



EASY ACCESS OVEN

Left hand hinged



Right hand hinged (as supplied)



SWING60SS

SIDE OPENING MULTIFUNCTION OVEN

CATA 300

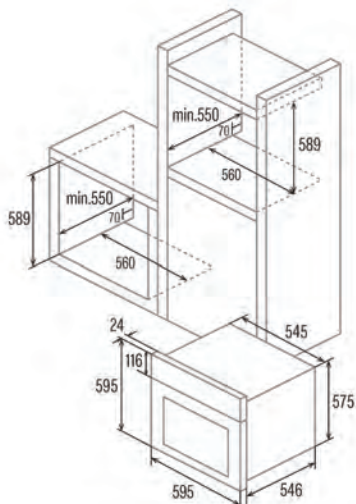


KEY FEATURES

- 67L Capacity • 8 Functions • Easy Clean Enamel
- Blue LED Touch Programmer
- Side Opening Reversible Door • 2 Oven Shelves

SPECIFICATION

- True fan with grill
- Oven light
- Stainless steel control panel
- Silver rotary knobs
- Black glass door with aluminium handle
- 2x oven shelves, 1x oven tray, 1x trivet
- A energy rating
- 3220W total power
- Cable without plug (16A connection)
- W595 x H595 x D570 mm



XXL OVENS



UBO753SS
HYDROLYTIC OVEN

CATA 300

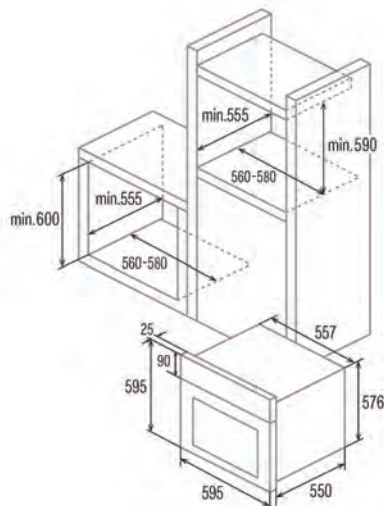


KEY FEATURES

78L Capacity · Vap-Clean Hydrolytic Cleaning
Red LED Touch Programmer
9 Functions · 2 Oven Shelves · Cool Touch Door

SPECIFICATION

- True fan with grill
- Oven light
- Stainless steel control panel
- Silver rotary knobs
- Black glass door with aluminium handle
- 2x oven shelves, 1x oven tray, 1x trivet
- A energy rating
- 2600W total power
- Cable with UK plug (13A connection)
- W595 x H595 x D575 mm



UBO753BK
HYDROLYTIC OVEN

CATA 300

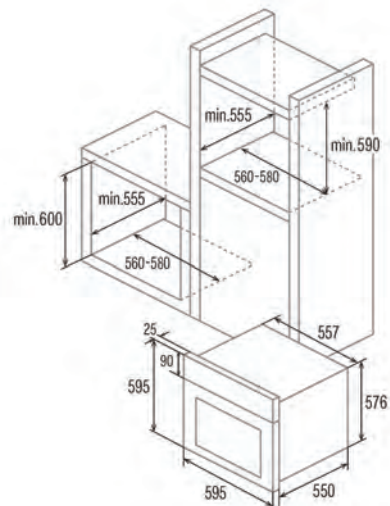


KEY FEATURES

78L Capacity · Vap-Clean Hydrolytic Cleaning
Red LED Touch Programmer
9 Functions · 2 Oven Shelves · Cool Touch Door

SPECIFICATION

- True fan with grill
- Oven light
- Black glass control panel
- Silver rotary knobs
- Black glass door with aluminium handle
- 2x oven shelves, 1x oven tray, 1x trivet
- A energy rating
- 2600W total power
- Cable with UK plug (13A connection)
- W595 x H595 x D575 mm



XXL OVENS



UBO754SS

PYROLYTIC OVEN

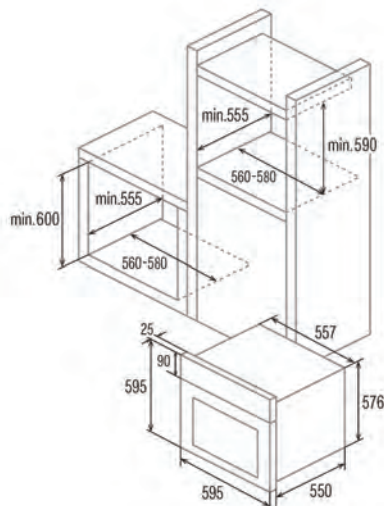


KEY FEATURES

78L Capacity • 8 Functions • Pyrolytic Cleaning
Red LED Touch Programmer
2 Oven Shelves • Active Cool Door

SPECIFICATION

- True fan with grill
- Oven light
- Stainless steel control panel
- Silver rotary knobs
- Black glass door with aluminium handle
- 2x oven shelves, 1x oven tray, 1x trivet
- 1x telescopic rail set (100%)
- A energy rating
- 2600W total power
- Cable with UK plug (13A connection)
- W595 x H595 x D575 mm



UBO754BK

PYROLYTIC OVEN

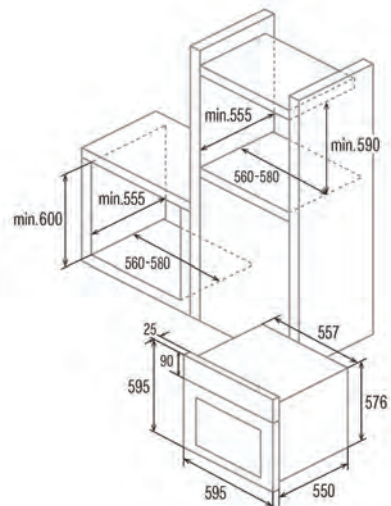


KEY FEATURES

78L Capacity • 8 Functions • Pyrolytic Cleaning
Red LED Touch Programmer
2 Oven Shelves • Active Cool Door

SPECIFICATION

- True fan with grill
- Oven light
- Black glass control panel
- Silver rotary knobs
- Black glass door with aluminium handle
- 2x oven shelves, 1x oven tray, 1x trivet
- 1x telescopic rail set (100%)
- A energy rating
- 2600W total power
- Cable with UK plug (13A connection)
- W595 x H595 x D575 mm

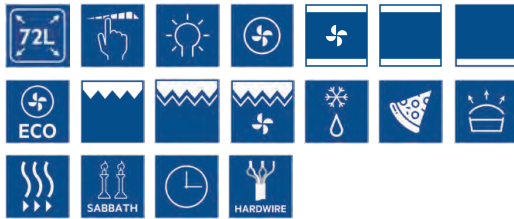


STUDIO COLLECTION



UBC72MF
MULTIFUNCTION OVEN

CATA 500

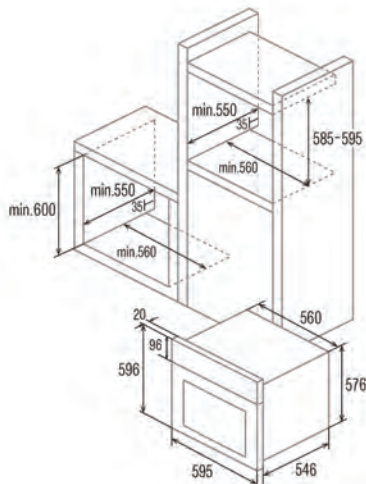


KEY FEATURES

72L Capacity • 13 Functions • Easy Clean Enamel
Full Touch Control with White LED Display
Full Extension Telescopic Rails • Cool Touch Door

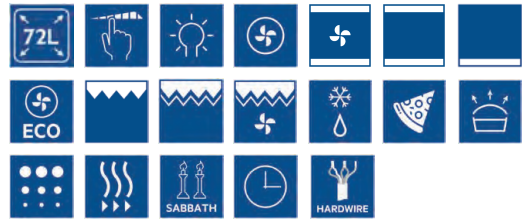
SPECIFICATION

- True fan with grill
- Sabbath mode
- Rapid Pre-heat
- 2x Oven lights
- Black glass with silver handle
- 3 layer glazed door
- 1x oven shelf, 1x deep tray
- 1x trivet
- 1x telescopic rail set (100%)
- A+ energy rating
- 2900W total power
- Cable without plug (13A connection)
- W595 x H596 x D566 mm



UBC72PY
PYROLYTIC OVEN

CATA 500

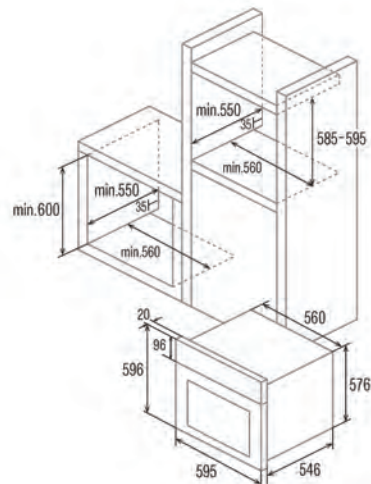


KEY FEATURES

72L Capacity • 14 Functions • Pyrolytic Cleaning
Full Touch Control with White LED Display
Full Extension Telescopic Rails • Active Cool Door

SPECIFICATION

- True fan with grill
- Sabbath mode
- Rapid Pre-heat
- 2x Oven lights
- Blue enamel oven interior
- Black glass with silver handle
- 4 layer glazed door
- 1x oven shelf, 1x deep tray
- 1x trivet
- 1x telescopic rail set (100%)
- A+ energy rating
- 3200W total power
- Cable without plug (16A connection)
- W595 x H596 x D566 mm



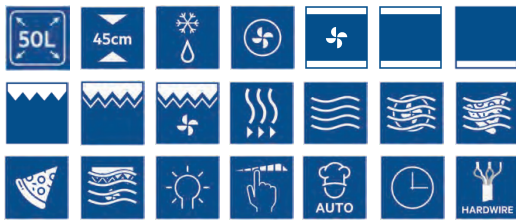
STUDIO COLLECTION



UBC45CM

COMPACT COMBINATION OVEN

CATA 500

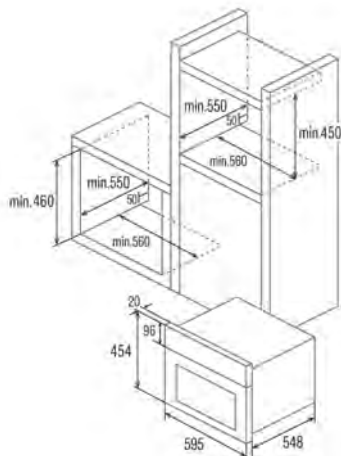


KEY FEATURES

50L Capacity • 15 Functions • Microwave, Grill & Oven
Full Touch Control with White LED Display
Easy Clean Enamel • Combination Cooking

SPECIFICATION

- 15 functions
- 13 auto-cook programmes
- 900W Flatbed microwave
- True fan with grill
- Combination cooking
- Rapid pre-heat
- Oven light
- Black glass with silver handle
- 3 layer glazed door
- 1x oven shelf, 1x deep tray
- 1x trivet
- 1x glass tray
- A+ energy rating
- 3000W total power
- Cable without plug (16A connection)
- W595 x H454 x D568 mm



UBC14WD

WARMING DRAWER

CATA 500

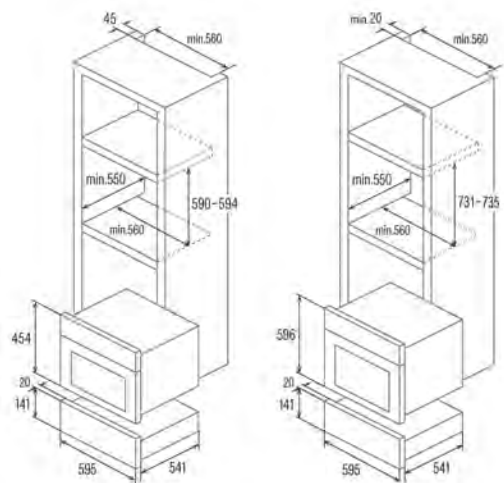


KEY FEATURES

22 Litre Capacity • 3 Functions
Full Touch Control with White LED Display
Stainless Steel Interior • 6 Place Settings

SPECIFICATION

- 25kg max load
- 3 warming functions - cup, crockery, food
- 9 Temperature levels (40°C-80°C)
- 6 hour timer
- Push to open
- Black glass
- 1000W total power
- Cable without plug (5A connection)
- W595 x H141 x D561 mm

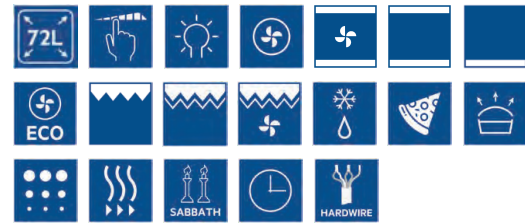
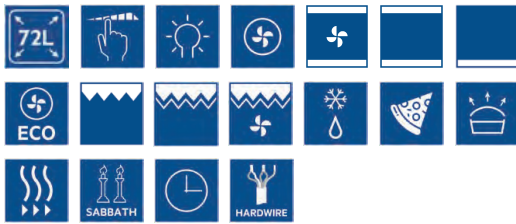


BLACK EDITION STUDIO COLLECTION



CAT72MFBK MULTIFUNCTION OVEN

CATA 700

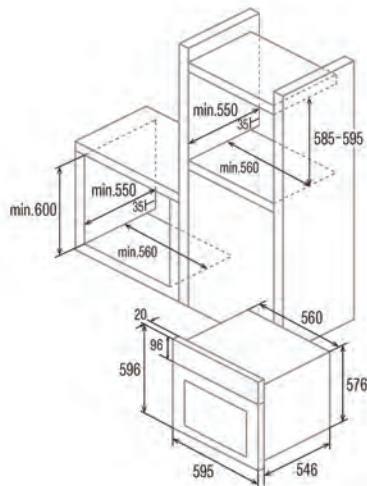


KEY FEATURES

72L Capacity • 13 Functions • Easy Clean Enamel
Full Touch Control with White LED Display
Full Extension Telescopic Rails • Cool Touch Door

SPECIFICATION

- True fan with grill
- Sabbath mode
- Rapid Pre-heat
- 2x Oven lights
- Black glass with black handle
- 3 layer glazed door
- 1x oven shelf, 1x deep tray
- 1x trivet
- 1x telescopic rail set (100%)
- A+ energy rating
- 2900W total power
- Cable without plug (13A connection)
- W595 x H595 x D566 mm



CAT72PYBK PYROLYTIC OVEN

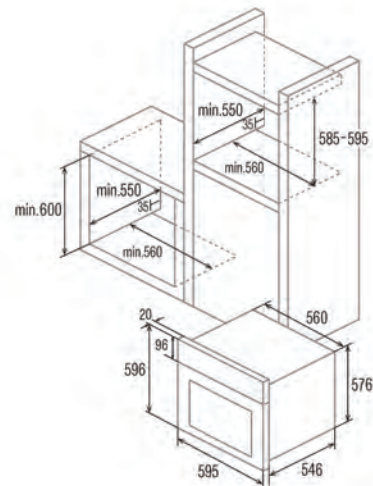
CATA 700

KEY FEATURES

72L Capacity • 14 Functions • Pyrolytic Cleaning
Full Touch Control with White LED Display
Full Extension Telescopic Rails • Active Cool Door

SPECIFICATION

- True fan with grill
- Sabbath mode
- Rapid Pre-heat
- 2x Oven lights
- Blue enamel oven interior
- Black glass with black handle
- 4 layer glazed door
- 1x oven shelf, 1x deep tray
- 1x trivet
- 1x telescopic rail set (100%)
- A+ energy rating
- 3200W total power
- Cable without plug (16A connection)
- W595 x H595 x D566 mm



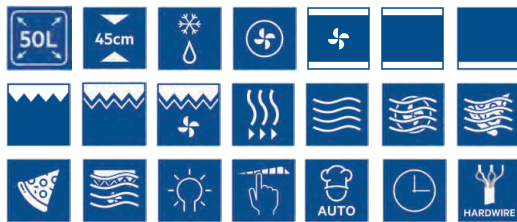


BLACK EDITION STUDIO COLLECTION



CAT45CMBK COMPACT COMBINATION OVEN

CATA 700

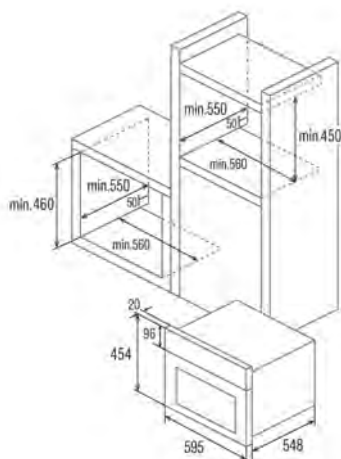


KEY FEATURES

50L Capacity • 15 Functions • Microwave, Grill & Oven
Full Touch Control with White LED Display
Easy Clean Enamel • Combination Cooking

SPECIFICATION

- 15 functions
- 13 auto-cook programmes
- 900W Flatbed microwave
- True fan with grill
- Combination cooking Rapid
- Pre-heat
- Oven light
- Black glass with black handle
- 3 layer glazed door
- 1x oven shelf, 1x deep tray
- 1x trivet
- 1x glass tray
- A+ energy rating
- 3200W total power
- Cable without plug (16A connection)
- W595 x H454 x D568 mm



CAT14WDBK WARMING DRAWER

CATA 700

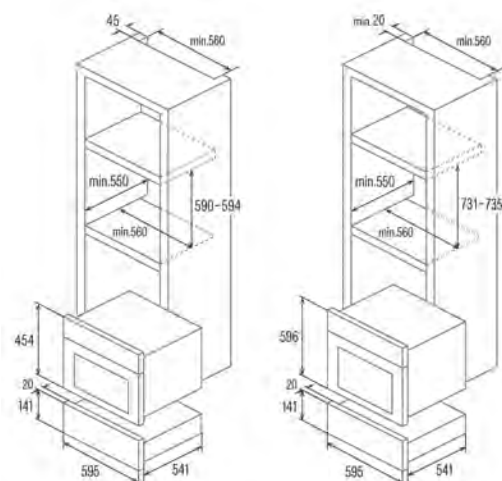


KEY FEATURES

22 Litre Capacity • 3 Functions • Antislip Mat
Full Touch Control with White LED Display
Stainless Steel Interior • 6 Place Settings

SPECIFICATION

- 25kg max load
- 3 warming functions - cup, crockery, food
- 9 temperature levels (40°C-80°C)
- 6 hour timer
- Push to open
- Black glass
- 1000W total power
- Cable without plug (5A connection)
- W595 x H141 x D561 mm



DOUBLE OVENS

UPDATED

A A++
↑
D



UBDO901SS.1

6 FUNCTION OVEN

CATA 300

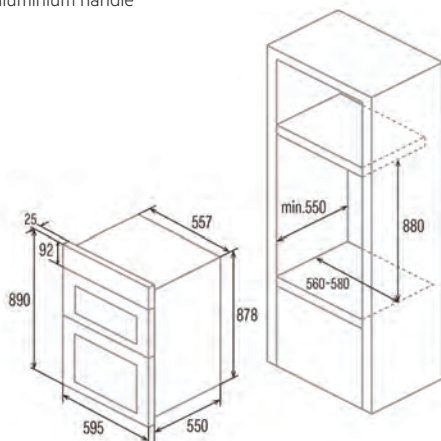


KEY FEATURES

77L Main oven • 37L Top oven • Easy Clean Enamel
Red LED Touch Programmer • 6 Functions

SPECIFICATION

- Main oven - True fan with oven light
- Top oven - Conventional with grill
- Stainless steel control panel
- Silver rotary knobs
- Black glass door with aluminium handle
- 2x oven shelves, 1x oven tray, 1x trivet
- A energy rating
- 4100W total power
- Cable without plug (20A connection)
- W595 x H890 x D575 mm



A A++
↑
D



UBDO901BK

6 FUNCTION OVEN

CATA 300

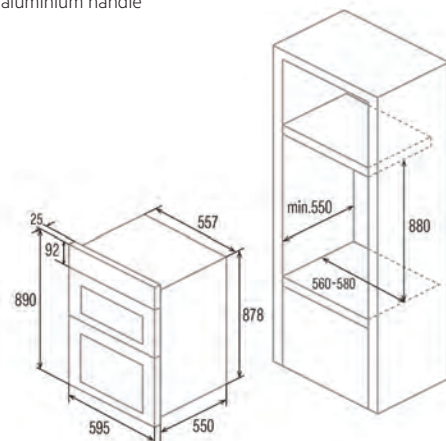


KEY FEATURES

77L Main oven • 37L Top oven • Easy Clean Enamel
Red LED Touch Programmer • 6 Functions

SPECIFICATION

- Main oven - True fan with oven light
- Top oven - Conventional with grill
- Black glass control panel
- Silver rotary knobs
- Black glass door with aluminium handle
- 2x oven shelves, 1x oven tray, 1x trivet
- A energy rating
- 4100W total power
- Cable without plug (20A connection)
- W595 x H890 x D575 mm



GAS OVENS



UBGM MT60SS

3 FUNCTION OVEN

CATA 100

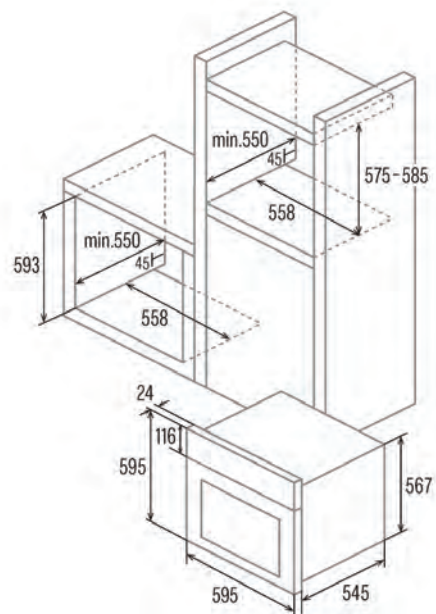


KEY FEATURES

56L Capacity · 3 Functions · Natural Gas Gas Oven and Grill · Oven Light

SPECIFICATION

- Electronic ignition
- Flame failure safety system
- Stainless steel control panel
- Aluminium rotary knobs
- Black glass door with aluminium handles
- Oven light
- Cooling fan
- 3 layer glazed door
- 1x ovenshelf, 1x oven tray, 1x trivet
- A energy rating
- 2100W oven power
- 1300W grill power
- Cable without plug (3A connection)
- W595 x H594 x D570 mm





MICROWAVES



MICROWAVES

MICROWAVE RANGE OVERVIEW

FREESTANDING

CATA 100



SWFBFSM p35



MICROWAVE RANGE OVERVIEW

FULLY BUILT IN

CATA 100



UBPBK20LC.1 p35



UBMICL20SS.1 p36



UBMICL20BK.1 p36

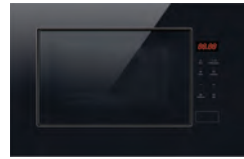
CATA 300



UBCOMBI25SS p37



UBCOMBI25BK p37



UB20MGBK p38



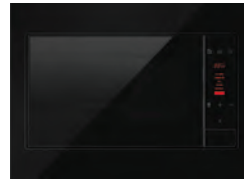
UB25MGSS p39



UB25MGBK p39



UB45CM31SS p40



UB45CM31BK p40

CATA 700



CAT25MGTBK p41



CAT45CMT31BK p42

CATA MICROWAVES – FEATURES & BENEFITS

Introduction

An essential for any modern kitchen, built-in microwaves offer fast, flexible cooking and extra capacity when needed. Designed to complement our single ovens, our range includes solo microwaves, with grill and full combination models. Available in various sizes (20-31 litres) and installation options to suit wall cabinets, in column or under-counter setups, they save counter space and add a sleek, modern look to any kitchen.

* Note - not all features are available on all Cata models, please refer to individual model specs for details.



Solo Microwave

Solo microwaves typically come with basic features like variable power levels, a timer, and a turntable to ensure even cooking. They are suitable for tasks such as reheating leftovers, defrosting frozen foods, and basic cooking like making popcorn or heating beverages.



Microwave & Grill

Combining microwave cooking with grilling capability, these offer more versatility than solo microwaves. They have a grill element that allows you to brown and crisp the top of dishes, and come with a grill rack to place food closer to the grill element for better browning.



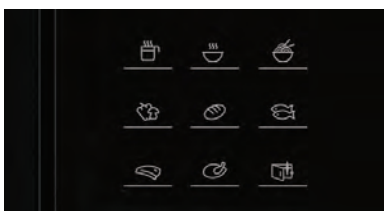
Combination Microwave

The ultimate choice for those seeking a multifunctional microwave that can do it all! Combination microwaves feature microwave, grill and fan oven functions, or a combination of all three to offer unparalleled versatility. What sets them apart is their ability to circulate air and distribute heat effectively. This unique feature makes them excellent for baking delectable treats like brownies, cakes, and bread.



Stainless Interior

Stainless steel offers advantages for microwave interiors as it's a smooth, non-porous material, making it easy to wipe clean, resist stains and food residue. This helps keep the microwave fresh-smelling and hygienic. Stainless steel helps to reflect and contain microwave energy, promoting even and efficient cooking. It's also a safe material for food contact and doesn't react with food or chemicals.



Auto-Cook Menu

These are pre-set programmes for common food items designed to save you time and effort. By selecting the food type and weight, the microwave sets the appropriate cooking parameters automatically.

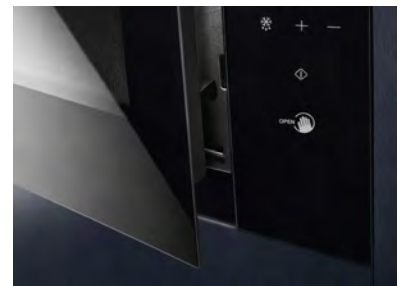
Touch Controls

Touch control microwaves offer a modern, sleek aesthetic and user-friendly interface, allow for easy and quick selection of cooking settings, timers, and other functions with a simple tap. By eliminating buttons and knobs, touch control microwaves create a cleaner, more minimalist appearance.



Touch Activated Door

The handle-free, touch-to-open door creates a sleek, modern look that integrates seamlessly into today's handleless cabinetry. A gentle touch activates the electronic door release, allowing the door to pop open effortlessly. Cata's Touch Activated door provides convenient, easy access to the microwave interior - even when hands are full - adding refinement and a premium feel to your kitchen.



Wall Unit Microwave

A type of built-in microwave that boasts a more streamlined depth, is designed for installing into shallower depth cabinetry such as the higher level wall units or installation within eye-level kitchen units.



In-Column Appliances

In-column layouts, where ovens and microwaves are stacked in tall cabinets, free up valuable countertop space, making cooking and prepping easier. We offer a range of built-in microwaves to suit in-column kitchen units, fitting at eye level over one of our single oven. Space-saving, ergonomic access, and a more streamlined kitchen aesthetic, makes them a great choice for modern kitchens.



45cm High Model

Ideal for replacing a 45cm compact on a budget, our brand new fully built-in 45cm high microwave can fill this space perfectly while providing all the cooking performance you need. Cata's 45cm high microwave features 31 litres of capacity, and comes fully loaded with grill and fan oven functions as well as microwave. It includes several auto-cook programmes too, so all the functionality of a compact combi but without the cost.



FREESTANDING MICROWAVES



SWFBFSM
SOLO MICROWAVE

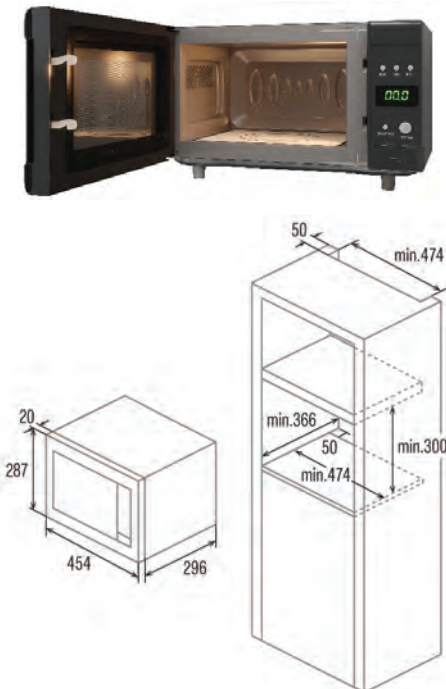


KEY FEATURES

20L Capacity - 700W Microwave - Grey Painted Interior
Digital Controls with Green LED Display
Flatbed - no rattles and easy to clean,
perfect for caravans and motorhomes

SPECIFICATION

- 5 Microwave power levels
- Interior light
- Black outer body
- Black control panel
- Chrome buttons
- Black glass door with black frame
- Cable with UK plug (13A connection)
- W454 x H287 x D316 mm



BUILT-IN MICROWAVES



UBPBK20LC.1
SOLO MICROWAVE

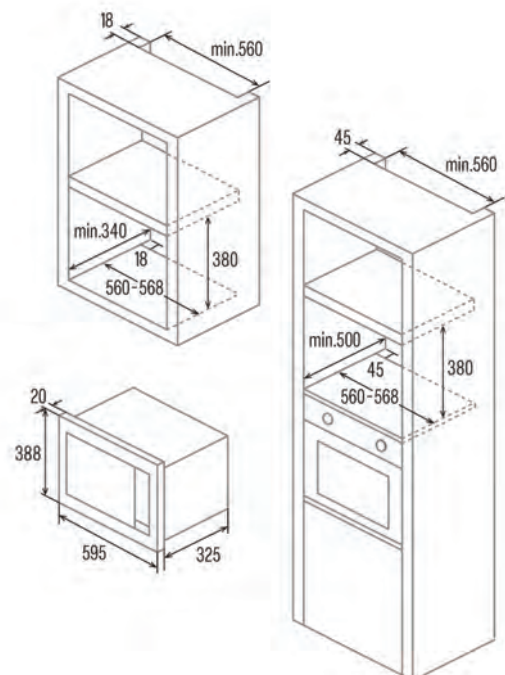


KEY FEATURES

20L Capacity - 800W Microwave
Grey Painted Interior - Mechanical Controls

SPECIFICATION

- 5 Microwave power levels
- Interior light
- Black painted frame and control panels
- Black rotary knobs
- Black glass door
- Ø245mm glass turntable
- Cable with UK plug (13A connection)
- 340mm min. installation depth
- W595 x H388 x D345 mm



BUILT-IN MICROWAVES



UBMICL20SS.1

MICROWAVE & GRILL

CATA 100

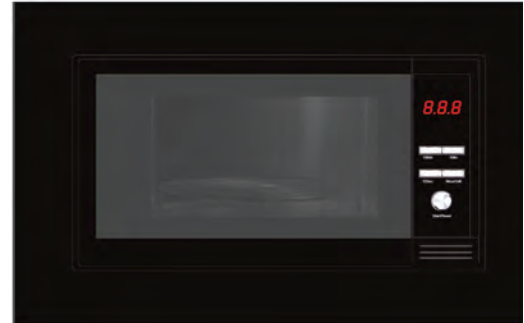
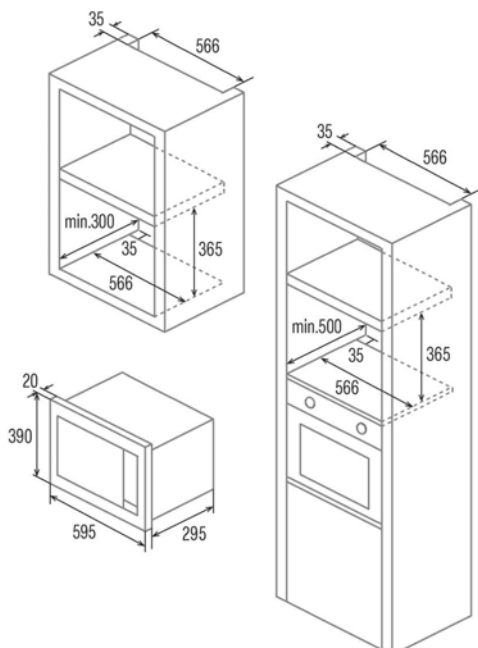


KEY FEATURES

- 20L Capacity · 700W Microwave · Grill Function
- Grey painted interior
- Digital Controls with Red LED Display

SPECIFICATION

- 5 Microwave power levels
- Combination Cooking
- Interior light
- Stainless steel frame and control panel
- Silver knobs and buttons
- Ø245mm glass turntable
- 1x grill rack
- Cable with UK plug (13A connection)
- Suitable for wall installation
- W595 x H390 x D313 mm



UBMICL20BK.1

MICROWAVE & GRILL

CATA 100

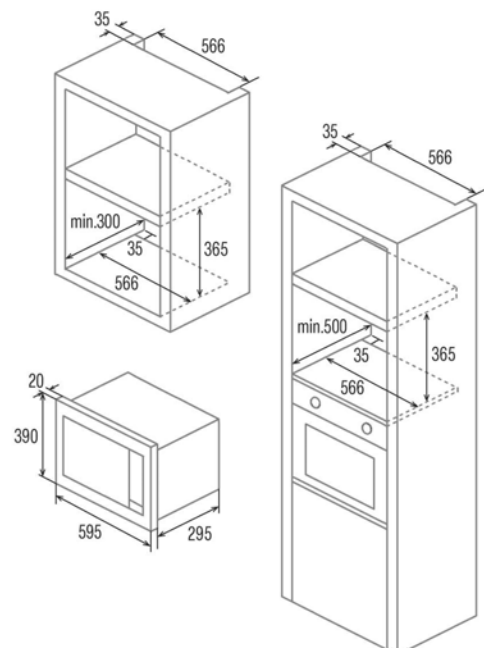


KEY FEATURES

- 20L Capacity · 700W Microwave · Grill Function
- Grey painted interior
- Digital Controls with Red LED Display

SPECIFICATION

- 5 Microwave power levels
- Interior light
- Black painted frame
- Silver buttons
- Black control panel and Black glass door
- Ø245mm glass turntable
- 1x grill rack
- Cable with UK plug (13A connection)
- Suitable for wall installation
- W595 x H390 x D313 mm

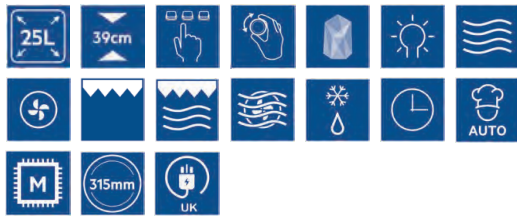


BUILT-IN MICROWAVES



UBCOMBI25SS COMBINATION MICROWAVE

CATA-300

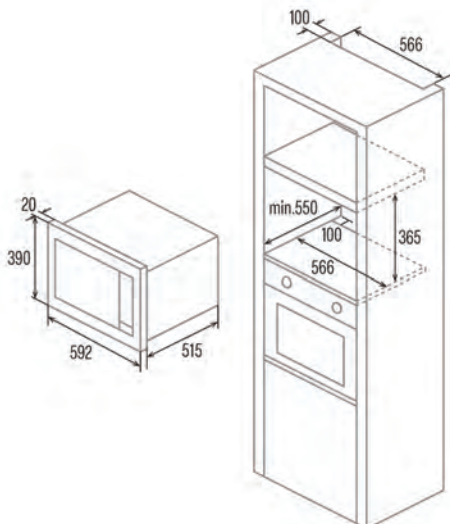


KEY FEATURES

**25L Capacity · 900W Microwave · Stainless Steel Interior
Grill and Fan Oven Functions · 6 auto-cook programmes
Digital Controls with White LED Display**

SPECIFICATION

- 5 Microwave power levels
- 1200W grill
- 1350W fan oven
- Combination cooking
- Interior light
- Stainless steel frame and control panel
- Silver buttons and rotary knob
- Black glass door with stainless steel trims
- Ø315mm glass turntable
- 1x grill rack
- Cable with UK plug (13A connection)
- 550mm min. installation depth
- W595 x H390 x D515mm



UBCOMBI25BK COMBINATION MICROWAVE

CATA-300

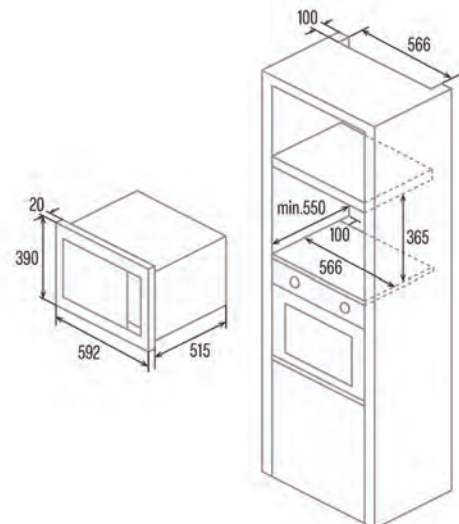


KEY FEATURES

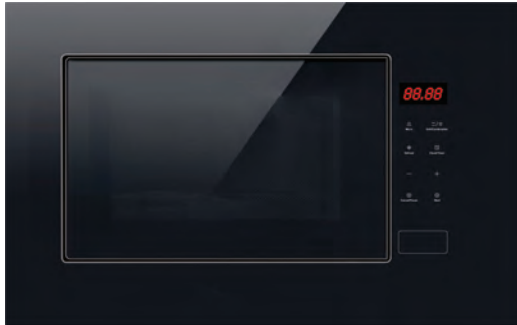
**25L Capacity · 900W Microwave · Stainless Steel Interior
Grill and Fan Oven Functions · 6 auto-cook programmes
Digital Controls with White LED Display**

SPECIFICATION

- 5 Microwave power levels
- 1200W grill
- 1350W fan oven
- Combination cooking
- Interior light
- Black painted frame
- Black control panel
- Silver buttons and rotary knob
- Black control panel and black glass door
- Ø315mm glass turntable
- 1x grill rack
- Cable with UK plug (13A connection)
- 550mm min. installation depth
- W595 x H390 x D515mm

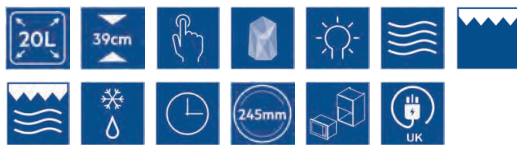


BUILT-IN MICROWAVES



UB20MGBK MICROWAVE & GRILL

CATA 300



KEY FEATURES

20L Capacity · **Frameless Design** · **700W Microwave**
Grill Function · **Stainless Steel Interior**
Touch Control with Red LED Display

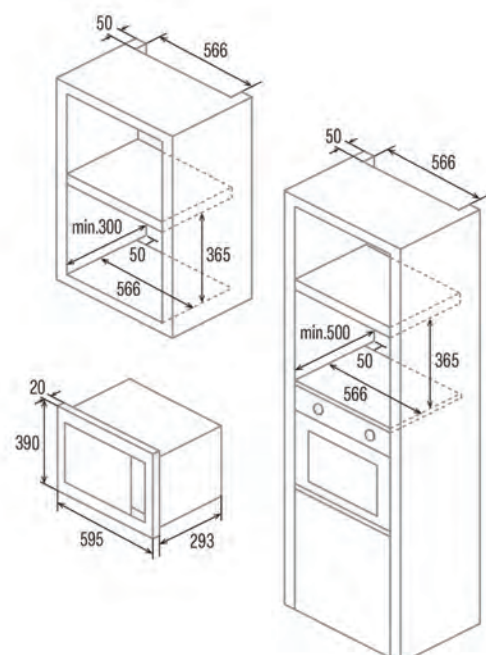
SPECIFICATION

- 5 Microwave power levels
- 800W grill
- Combination cooking
- Interior light
- Black glass front and door
- Ø245mm glass turntable
- 1x grill rack
- Cable with UK plug (13A connection)
- Suitable for wall installation
- W595 x H390 x D313 mm



MICROWAVES

Matches UBO650/750 series Black ovens



BUILT-IN MICROWAVES

NEW



UB25MGSS / UB25MGBK

MICROWAVE & GRILL

CATA 300

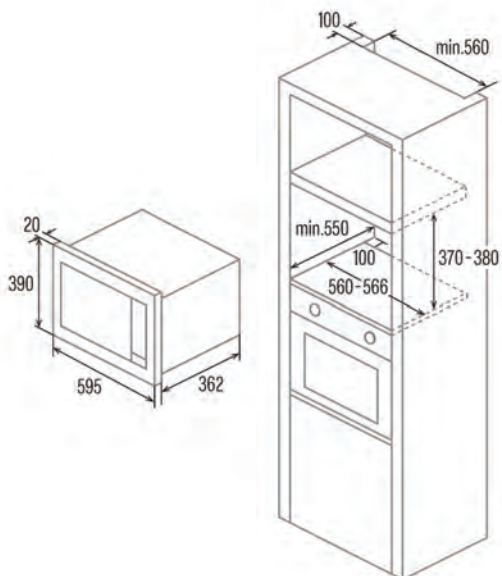


KEY FEATURES

25L Capacity • **Frameless Design** • **Black or Stainless Steel finish**
900W Microwave • **Grill Function** • **Stainless Steel Interior**
8 Auto-cook Programmes • **Touch Control with Red LED Display**

SPECIFICATION

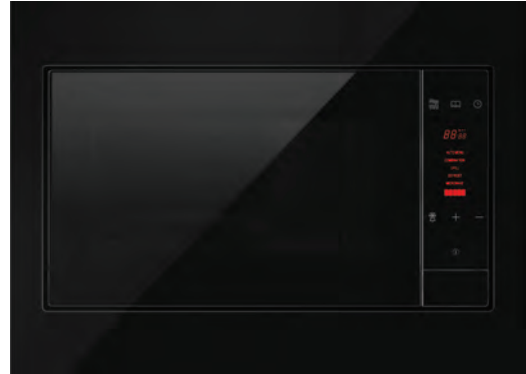
- 5 Microwave power levels
- 1200W grill
- Combination cooking
- Interior light
- Stainless steel or Black glass frame
- Black glass control panel
- Black glass door
- Ø315mm glass turntable
- 1x grill rack
- Cable with UK plug (13A connection)
- 550mm min. installation depth
- W595 x H390 x D382mm



Matches UBO650/750 series ovens

BUILT-IN MICROWAVES

NEW



MICROWAVES

UB45CM31SS / UB45CM31BK

COMBINATION MICROWAVE

CATA 300



KEY FEATURES

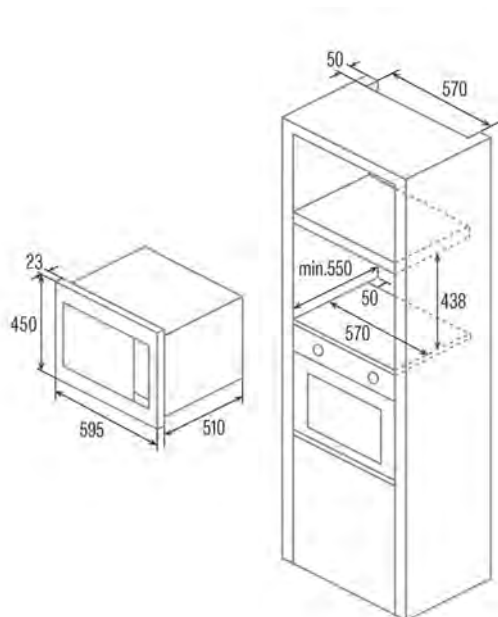
31L Capacity · 900W Microwave · Black or Stainless Steel finish
Stainless Steel Interior · Grill and Fan Oven Functions
6 Auto-cook Programmes · Touch Control with Red LED Display

SPECIFICATION

- 5 Microwave power levels
- 1200W grill
- 1350W fan oven
- Combination cooking
- Interior light
- Stainless steel or Black glass frame
- Black glass control panel
- Black glass door
- Ø315mm glass turntable
- 1x grill rack
- Cable with UK plug (13A connection)
- 550mm min. installation depth
- W595 x H450 x D530mm

Benefits

The ideal replacement for a 45cm compact appliance, this fully built-in 45cm microwave delivers big functionality at a budget-friendly price. Its 31-litre capacity combines microwave, grill and fan oven functions, plus auto-cook programmes for effortless results — giving you all the benefits of a compact combi without the high cost.



Matches UBO650/750 series ovens

BUILT-IN MICROWAVES

NEW



CAT25MGTBK MICROWAVE & GRILL

CATA 700



KEY FEATURES

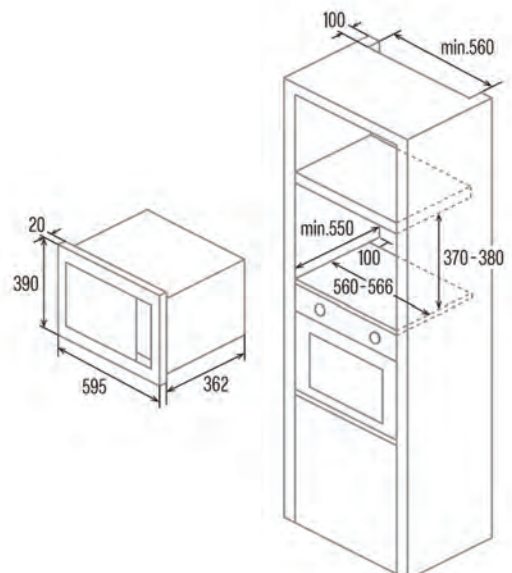
25L Capacity • Frameless Design • Black Glass finish 900W Microwave • Grill Function • Stainless Steel Interior
8 Auto-cook Programmes • Touch Activated Door
Touch Control with White LED Display

SPECIFICATION

- 5 Microwave power levels
- 1200W grill
- Combination cooking
- Interior light
- Black glass surround and control panel
- Black glass door
- Ø315mm glass turntable
- 1x grill rack
- Cable with UK plug (13A connection)
- 550mm min. installation depth
- W595 x H390 x D362mm



Matches CAT72 series Black ovens



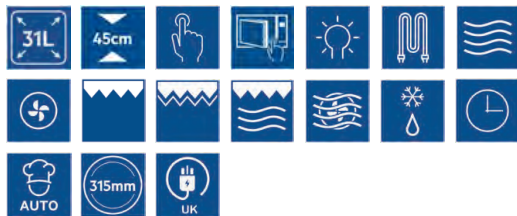
BUILT-IN MICROWAVES

NEW



CAT45CMT31BK COMBINATION MICROWAVE

CATA 700



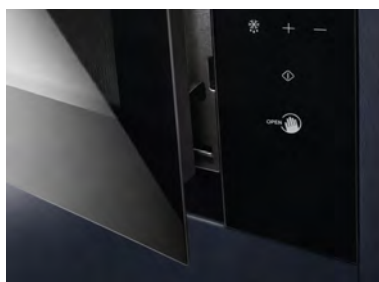
KEY FEATURES

31L Capacity • Frameless Design • Black Glass Finish
900W Microwave • Touch Control with White LED Display
Grill and Fan Oven Functions • Stainless Steel Interior
6 Auto-cook Programmes • Touch Activated Door

SPECIFICATION

- 5 Microwave power levels
- 1200W grill
- 1350W fan oven
- Combination cooking
- Interior light
- Black glass frame
- Black glass control panel
- Black glass door
- Ø315mm glass turntable
- 1x grill rack
- Cable with UK plug (13A connection)
- 550mm min. installation depth
- W595 x H450 x D530mm

Benefits

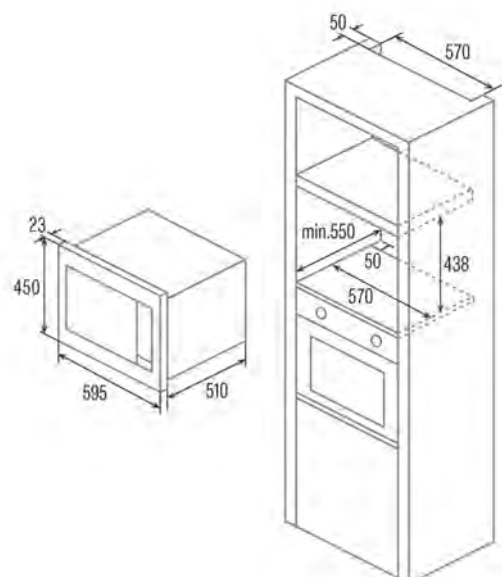


The touch-to-open door creates a sleek, contemporary look that integrates seamlessly with modern handleless cabinetry. A gentle touch activates the electronic door release, allowing the door to open effortlessly for quick, convenient access - even when hands are full. Cata's Touch Activated Door enhances everyday usability while adding a refined, premium feel to your kitchen.



MICROWAVES

Matches CAT72 series Black ovens





HOBS



HOBS

ELECTRIC & GAS HOB RANGE OVERVIEW

GAS HOBS

CATA 100



UBGHJ607 p48



UBGHJ608LPG p48



UBGH30SS p49



UBGHFFJ60.1 p49

CATA 300



UBGHDFJ60.1 p50



UBGHDFJ70.1 p50



UBGOG302BK p51



UBGOG601BK p51



UBGOG701BK p52



UBGOG901BK p52

SOLID PLATE & CERAMIC HOBS

CATA 100



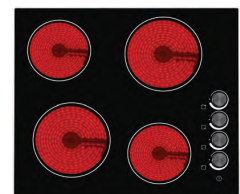
UBSPH60KCR p54



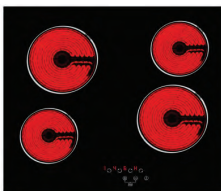
CUL30TC p54



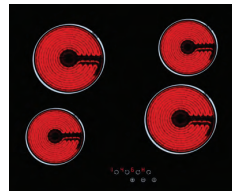
UBTC30FLC p55



UBCH60KCR.1 p55



UBTCC60F p56



UBTCC60LC.1 p56

ELECTRIC & GAS HOB RANGE OVERVIEW

INDUCTION HOBS

CATA 100



UBINDE60MT p59



UBIND60MT p59

CATA 300



UBIND30FLC p60



UBIND60MS p60

CATA 300

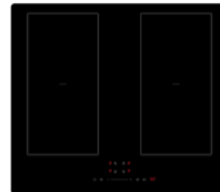


UBIND77F p61

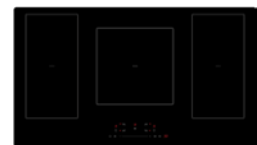


UBIND90F p61

CATA 500



UBINDEX60MS p62



UBINDEX90MS p62

VENTED INDUCTION HOBS

CATA 700



CATINDE60HF p63



CATIND90HF p64

CATA 300



ICONFLEX75DD p67



ICONFXP75DDS p67

CATA 500

CATA 700



UBDD60CF p69



UBDD77CF p69



CATDD60CHF p70



CATDD77CHF p70

GAS HOB - FEATURES & BENEFITS

Introduction

Ignite your culinary passion with the Cata gas hob range, designed for every kitchen and cooking style. Available in 60cm, 77cm, and 90cm widths and with 4 or 5 burners, our hobs span from essential stainless steel designs with enamel pan supports to deluxe versions with robust full-coverage cast iron supports.

Our gas-on-glass models elevate your kitchen space with sophisticated elegance, powerful burners, exceptional safety and easy maintenance, making our gas hobs the ideal blend of function and flair.

* Note - not all features are available on all Cata models, please refer to individual model specs for details.



Triple Ring

Triple ring gas burners on Cata hobs offer powerful, even heat for fast and efficient cooking. With three concentric rings of flame, they provide a wider heating area, perfect for large pans, woks, or rapid boiling.

Able to deliver intense heat, they are ideal for stir-frying or searing, while still allowing precise control for versatile dishes.



Cast Iron Pan Stands

The square section enamelled cast iron pan supports on our gas hobs deliver superior pan stability, securely handling heavy pots and pans without deflection or wobbling. Our special pan support locators ensure they stay in place when sliding pans around, and their robust construction ensures even heat distribution for consistent cooking results.



Flame Safety

The flame failure safety system on Cata gas hobs automatically stops the gas flowing if the flame goes out, ensuring your kitchen stays safe and worry-free.



Automatic Ignition

The automatic spark ignition on our gas hob makes lighting the burners quick and easy. When you push the control knob down and turn it to start the gas flow, a small electric spark is generated near the burner, instantly igniting the gas. No matches or lighters are needed!



LPG Conversion Kit

All Cata natural gas hobs come with an LPG conversion kit, letting you easily switch from natural gas to LPG for total flexibility when installing your hob. Similarly all LPG hobs come with a NG conversion kit. Conversion must be done by a competent gas engineer, e.g. Gas Safe.

GAS HOBS



UBGHJ607LPG



UBGHJ607

4 BURNER GAS ON GLASS HOB

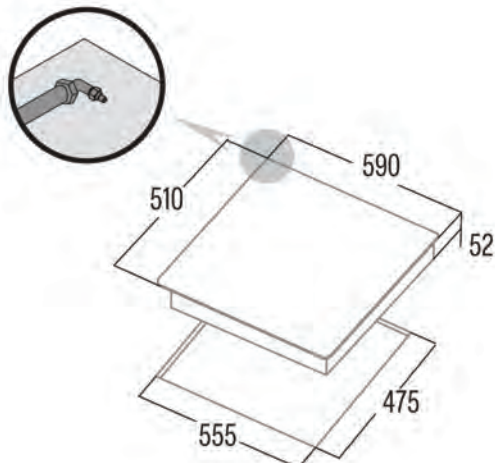


KEY FEATURES

**60cm Width · 4 Gas Burners including 3kW Triple Ring
Individual Enamel Pan Supports
Automatic Electronic ignition · Matching Burner Caps**

SPECIFICATION

- Black glass
- Rotary controls
- 4 natural gas burners
- Black control knobs with stainless steel cap
- Flame failure safety system
- 7.5kW total power
- 1x 3.0kW triple ring burner
- 2x 1.75kW semi-rapid burners
- 1x 1.0kW auxillary burner
- LPG conversion kit (G30)
- Cable without plug (3A connection)
- W590 x D510 x H110 mm
- Cut-out W555 x D475 mm



UBGHJ608LPG

4 BURNER GAS ON GLASS HOB

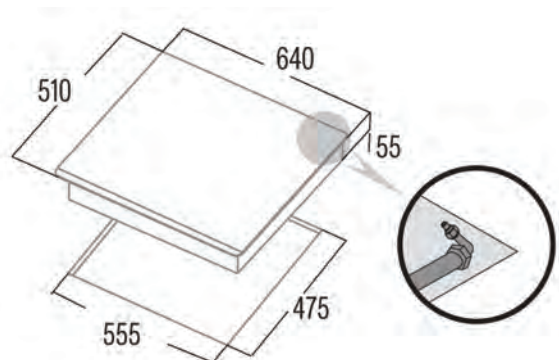


KEY FEATURES

**64cm Width · 4 Gas Burners inc. 2x 2.5kW Rapid
Individual Enamel Pan Supports
Automatic Electronic ignition · Matching Burner Caps**

SPECIFICATION

- Black glass
- Rotary controls
- 4 LP gas burners
- Black control knobs with stainless steel cap
- Flame failure safety system
- 7.75kW total power
- 2x 2.5kW rapid burners
- 1x 1.75kW semi-rapid burner
- 1x 1.0kW auxillary burner
- Nat Gas conversion kit (G20)
- Cable without plug (3A connection)
- W640 x D510 x H110 mm Cut-out W555 x D475 mm



GAS HOBS



UBGH30SS

2 BURNER STAINLESS GAS HOB

CATA 100

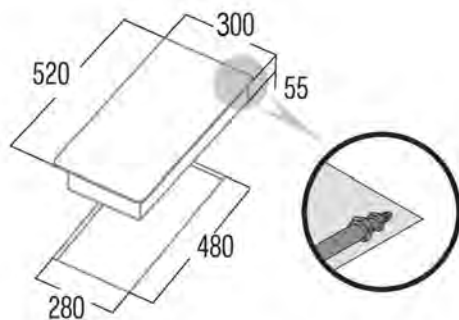


KEY FEATURES

30cm Width · 2 Gas Burners including 3kW Rapid Matching Burner Caps · Enamel Pan Supports Automatic Electronic ignition · Front Controls

SPECIFICATION

- Stainless steel
- Rotary controls on right hand side
- 2 Nat gas burners (G20)
- Black control knobs with aluminium cap
- Flame failure safety system
- 4.0kW power
 - 1x 3.0kW rapid burner
 - 1x 1.0kW auxillary burner
- LPG conversion kit (G30)
- Cable without plug (3A connection)
- W300 x D520 x H110 mm
- Cut-out W280 x D480mm



UBGHFFJ60.1

4 BURNER STAINLESS GAS HOB

CATA 100

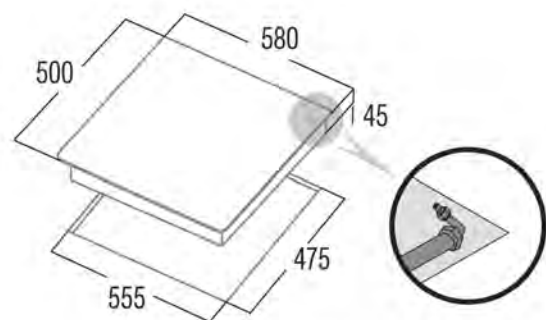


KEY FEATURES

60cm Width · 4 Gas Burners including 2.5kW Rapid Matching Burner Caps · Enamel Pan Supports Automatic Electronic ignition · Side Controls

SPECIFICATION

- Stainless steel
- Rotary controls on right hand side
- 4 Nat gas burners (G20)
- Black control knobs with aluminium cap
- Flame failure safety system
- 7.0kW power
 - 1x 2.5kW rapid burner
 - 2x 1.75kW semi-rapid burner
 - 1x 1.0kW auxillary burner
- LPG conversion kit (G30)
- Cable without plug (3A connection)
- W580 x D500 x H110 mm
- Cut-out W555 x D475mm



GAS HOBS



UBGHDFJ60.1

4 BURNER STAINLESS GAS HOB

CATA 300

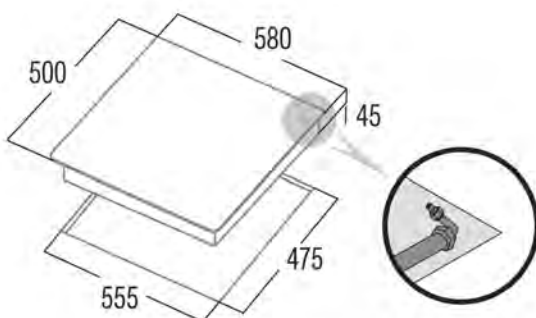


KEY FEATURES

60cm Width · 4 Gas Burners including 3kW Triple ring
Matching Burner Caps · Cast iron Pan Supports
Automatic Electronic ignition · Side Controls

SPECIFICATION

- Stainless steel
- Rotary controls on right hand side
- Black control knobs with aluminium cap
- Flame failure safety system
- 7.5kW total power
 - 1x 3.0kW triple ring burner
 - 2x 1.75kW semi-rapid burners
 - 1x 1.0kW auxillary burner
- LPG conversion kit (G30)
- Cable without plug (3A connection)
- W580 x D500 x H110 mm
- Cut-out W555 x D475 mm



UBGHDFJ70.1

5 BURNER STAINLESS GAS HOB

CATA 300

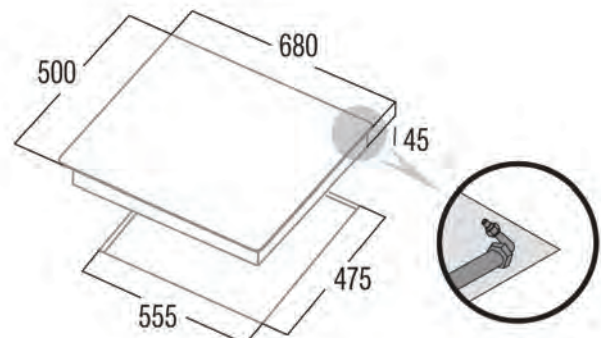


KEY FEATURES

70cm Width · 5 Gas Burners including 3kW Triple ring
Matching Burner Caps · Cast iron Pan Supports
Automatic Electronic ignition · Front Controls

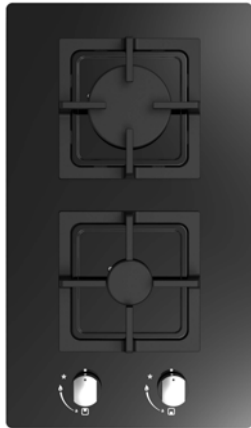
SPECIFICATION

- Stainless steel
- Rotary controls
- 5 natural gas burners (G20)
- Black control knobs with aluminium cap
- Flame failure safety system
- 10kW total power
 - 1x 3.0kW triple ring burner
 - 1x 2.5kW rapid burners
 - 2x 1.75kW semi rapid burners
 - 1x 1.0kW auxillary burner
- LPG conversion kit (G30)
- Cable without plug (3A connection)
- W680 x D500 x H110 mm
- Cut-out W555 x D475 mm



GAS HOBS

NEW



UBGOG302BK

2 BURNER GAS ON GLASS HOB

CATA 300

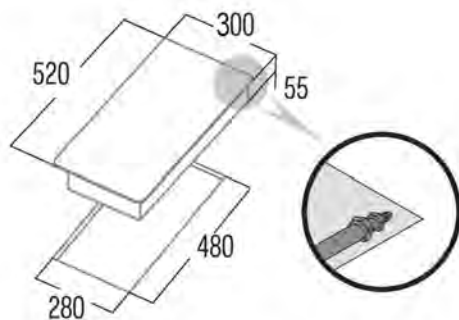


KEY FEATURES

**30cm Width • 2 Gas Burners including 3kW Rapid Matching Burner Caps • Cast Iron Pan Supports
Automatic Electronic ignition • Front Controls**

SPECIFICATION

- Black glass
- Rotary controls
- 2 natural gas burners
- Black control knobs with stainless steel cap
- Flame failure safety system
- 4.0kW total power
 - 1x 3.0kW rapid burner
 - 1x 1.0kW auxillary burner
- LPG conversion kit (G30)
- Cable without plug (3A connection)
- W300 x D520 x H110 mm
- Cut-out W280 x D480 mm



UBGOG601BK

4 BURNER GAS ON GLASS HOB

CATA 300

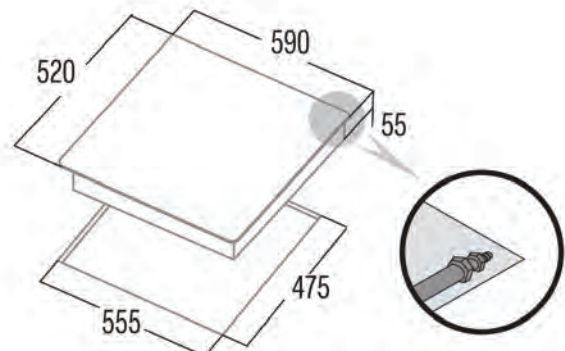


KEY FEATURES

**60cm Width • 4 Gas Burners including 3kW Rapid Matching Burner Caps • Cast Iron Pan Supports
Automatic Electronic ignition • Front Controls**

SPECIFICATION

- Black glass
- Rotary controls
- 4 natural gas burners
- Black control knobs with stainless steel cap
- Flame failure safety system
- 7.5kW total power
 - 1x 3.0kW rapid burner
 - 2x 1.75kW semi-rapid burners
 - 1x 1.0kW auxillary burner
- LPG conversion kit (G30)
- Cable without plug (3A connection)
- W590 x D520 x H110 mm
- Cut-out W555 x D475 mm



GAS HOBS



HOBS

UBGOG701BK 5 BURNER GAS ON GLASS HOB

CATA-300

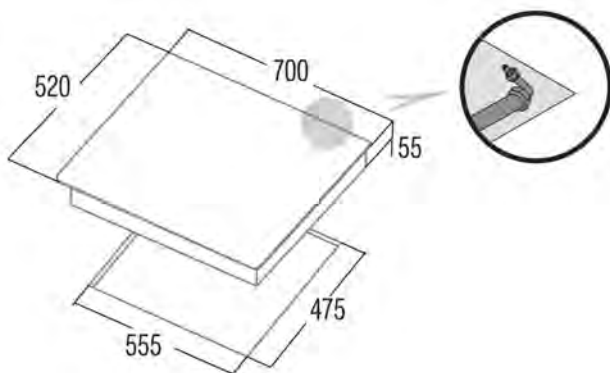


KEY FEATURES

**70cm Width • 5 Gas Burners including 3.5kW Triple Ring
Matching Burner Caps • Cast Iron Pan Supports
Automatic Electronic ignition**

SPECIFICATION

- Black glass
- Rotary controls
- 5 natural gas burners (G20)
- Black control knobs with stainless steel cap
- Flame failure safety system
- 11kW total power
 - 1x 3.5kW triple ring burner
 - 1x 3.0kW rapid burner
 - 2x 1.75kW semi rapid burners
 - 1x 1.0kW auxillary burner
- LPG conversion kit (G30)
- Cable without plug (3A connection)
- W700 x D510 x H110 mm
- Cut-out W555 x D475 mm



UBGOG901BK 5 BURNER GAS ON GLASS HOB

CATA-300

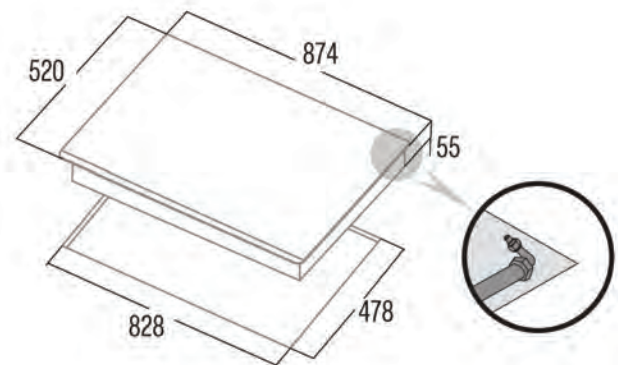


KEY FEATURES

**90cm Width • 5 Gas Burners including 3.5kW Triple Ring
Matching Burner Caps • Cast Iron Pan Supports
Automatic Electronic ignition**

SPECIFICATION

- Black glass
- Rotary controls
- 5 natural gas burners (G20)
- Black control knobs with stainless steel cap
- Flame failure safety system
- 11kW total power
 - 1x 3.5kW triple ring burner
 - 1x 3.0kW rapid burner
 - 2x 1.75kW semi rapid burners
 - 1x 1.0kW auxillary burner
- LPG conversion kit (G30)
- Cable without plug (3A connection)
- W874 x D520 x H110 mm
- Cut-out W828 x D478 mm



CERAMIC HOBS



SOLID PLATE & CERAMIC HOBS



HOBS

UBSPH60KCR
4 ZONE SOLID PLATE HOB

CATA 100



CUL30TC
2 ZONE DOMINO CERAMIC HOB

CATA 100

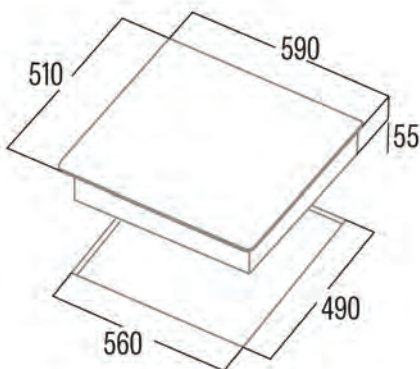


KEY FEATURES

60cm Width · 4 Sealed Hotplates · 6 Power Settings
Rotary Knob Controls

SPECIFICATION

- Stainless Steel
- Red LED power indicator
- Silver control knobs
- 5.5kW total power
- Cable without plug (25A connection)
- W590 x D510 x H55 mm
- Cut-out W560 x D490 mm

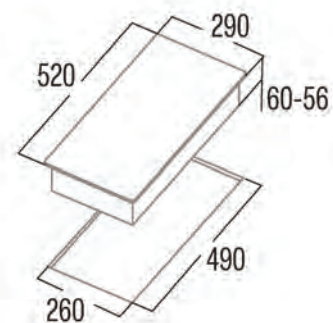


KEY FEATURES

30cm Width · 2 Cooking Zones · 9 Power Settings
Touch Control with Red LED Display · Cutoff Timer

SPECIFICATION

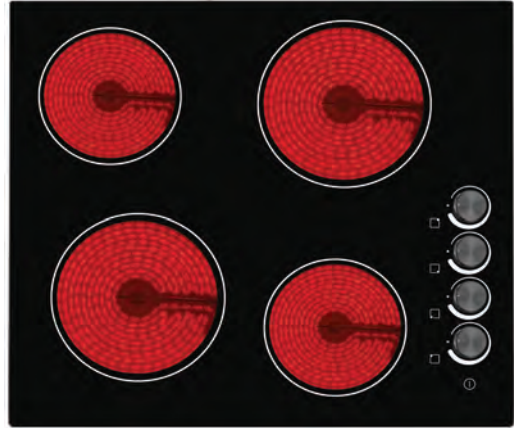
- Black glass
- Child safety lock
- Residual heat indicator
- Standby mode
- 3kW total power
- Cable with UK plug (13A connection)
- W290 x D520 x H65 mm
- Cut-out W260 x D490 mm



CERAMIC HOBS



UPDATED



UBTC30FLC

2 ZONE DOMINO CERAMIC HOB

CATA 100



UBCH60KCR.1

4 ZONE ROTARY CERAMIC HOB

CATA 100

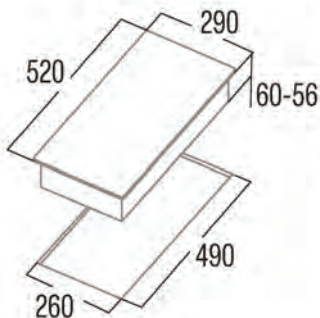


KEY FEATURES

30cm Width · 2 Cooking Zones · 9 Power Settings + Boost
Touch Control with Red LED Display · Timer

SPECIFICATION

- Black glass
- Child safety lock
- Residual heat indicator
- Standby mode
- 3kW total power
- Cable with UK plug (13A connection)
- W290 x D520 x H65 mm
- Cut-out W260 x D490 mm

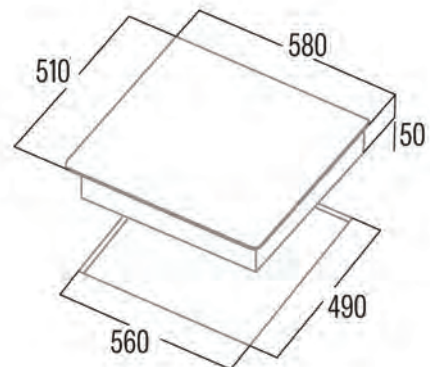


KEY FEATURES

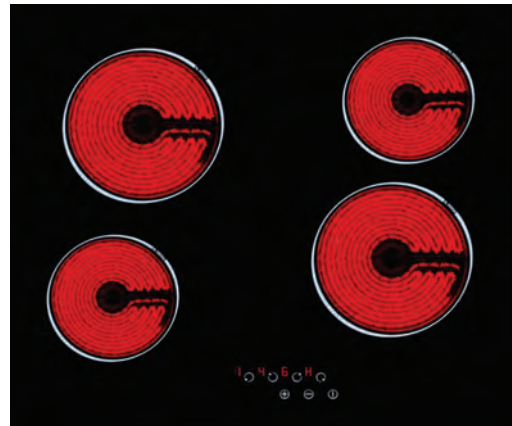
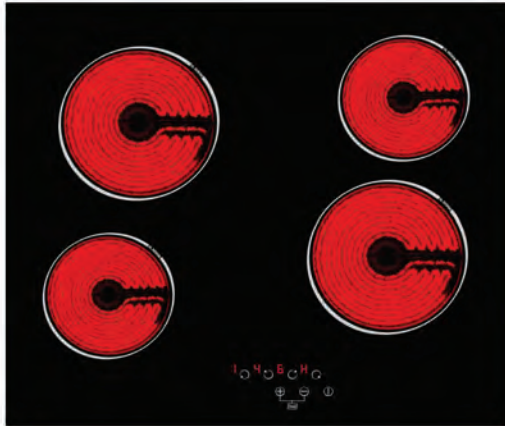
60cm Width · 4 Cooking Zones · 15 Power Settings
Rotary Knob Controls with Red LED Display

SPECIFICATION

- Black glass
- Rotary controls on right hand side
- Black control knobs
- Residual heat indicator
- Standby mode
- 6kW total power
- Cable without plug (32A connection)
- W580 x D510 x H50 mm
- Cut-out W560 x D490 mm



CERAMIC HOBS



HOBS

UBTCC60F

4 ZONE CERAMIC HOB

CATA 100



UBTCC60LC.1

4 ZONE CERAMIC HOB

CATA 100

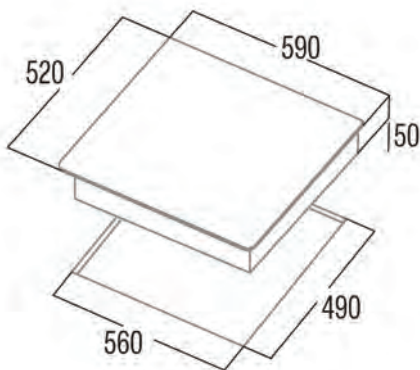


KEY FEATURES

60cm Width · 4 Cooking Zones · 9 Power Settings
Touch Control with Red LED Display · Timer

SPECIFICATION

- Black glass
- Child safety lock
- Residual heat indicator
- Standby mode
- 6kW total power
- Cable without plug (32A connection)
- W590 x D520 x H50 mm
- Cut-out W560 x D490 mm

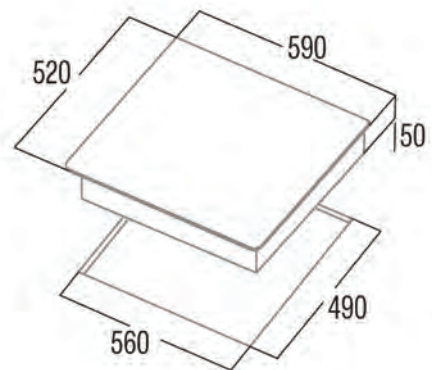


KEY FEATURES

60cm Width · 4 Cooking Zones · 9 Power Settings
Touch Control with Red LED Display · Satin Pro Glass

SPECIFICATION

- Satin Pro black glass
- Child safety lock
- Residual heat indicator
- Standby mode
- 6kW total power
- Cable without plug (32A connection)
- W590 x D520 x H50 mm
- Cut-out W560 x D490 mm



INDUCTION HOB - FEATURES & BENEFITS

Introduction

Cata induction hobs transform your cooking capabilities with lightning-fast heating and pinpoint temperature control. Offering top-notch energy efficiency, they help reduce your bills over time. Safer than gas or electric, our induction hobs stay cool to the touch, minimising burn risks, and include child locks and auto shut-off for added security. Our sleek induction hobs are easy to clean and add a touch of elegance to any kitchen.

* Note - not all features are available on all Cata models, please refer to individual model specs for details.



How Induction Works

Induction technology creates a magnetic field between the hob and metal cookware, like iron or steel pots and pans. When powered, an electric current in the hob's coils generates this field, producing eddy currents that directly heat the base of the cookware, rather than the hob surface itself. This results in rapid, precise heat control and greater energy efficiency, as minimal heat is lost in the process.



Flex Zones

Some of Cata models offer bridge zones or flex zones, allowing you to combine two adjacent cooking zones into a larger one. This feature is useful for accommodating oversized cookware such as large pans, fish kettles or griddle plates with even heat, ideal for cooking steaks or large meals.



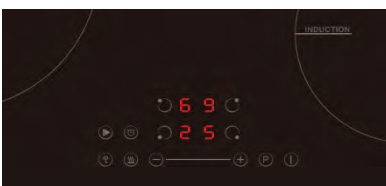
Power Management

Induction hobs are usually hardwired in to your homes electrical system, but 13A plug-in models, designed for lower power, can be plugged into a standard UK wall socket. Note however, this may restrict the number, size, cooking power, and simultaneous use of pots and pans. Smart software efficiently manages power distribution across active zones.



Configurable Power Limit

Cata's 13A plug-in induction hobs are all configurable to set the hob to operate within specific amperage limits, typically ranging from 6A to 32A. This is achieved through settings in the hob's software, which can be adjusted during installation to limit the maximum power draw to match the circuit's capacity (e.g., 3kW for 13A or 7.2kW for 32A).



Touch Controls

All Cata's induction hobs come with an intuitive LED touch control display for effortless and precise control over cooking settings. Our touch controls come in two options - Touch Sense which uses individual touch buttons, and Touch Slider where temperature setting is as simple as sliding your finger.



Hidden Touch Controls

Invisible when hob is off, our hidden touch slider displays the controls only when you need them. Simply touch the pulsing standby button and the hob comes to life, ready to help you prepare your favourite dishes.

Pan Suitability

When using an induction hob, it's essential to choose cookware that is compatible with this type of hob. Induction hobs work by generating an electromagnetic field that directly heats the cooking vessel, so the cookware must have magnetic properties for it to work effectively. To check compatibility, simply see if a magnet sticks to the bottom of the pan.



Precise Temp Control

Take advantage of the precise temperature control offered by our latest induction hobs. Cata's latest induction technology provides perfectly smooth power delivery, so you can adjust the heat level to suit your cooking needs accurately, whether it's simmering delicate sauces or searing meats at high temperatures.



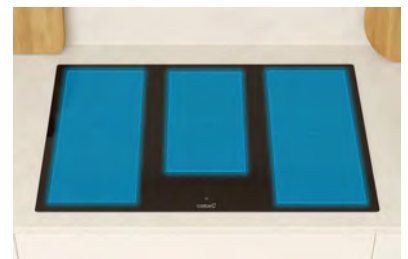
Boost Function

Our induction hobs include a boost or double boost function that temporarily increases power to a cooking zone for rapid boiling or intense searing. Once the boost period ends, the hob automatically returns to the previously set power setting, ensuring precise control and preventing overheating. The booster improves efficiency, enhances cooking precision, and helps energy savings by reducing cooking time.



6 Zone Hob

With six distinct cooking zones, our new Cata 90cm 6-zone induction hob helps elevate your cooking game. The three flex zones seamlessly combine pairs of zones into larger cooking areas, effortlessly accommodating oversized pots and pans. This versatile design delivers unmatched flexibility, precision, and power.



Warming Functions

Activate one of up to four warming functions built in your Cata induction hob, cook according to your taste...



Melt - 42°C for melting butter, chocolate or warming up milk without burning.



Defrost - 55°C to gently thaw food in the pan.



Keep Warm - 70°C keeps pre-cooked food warm before serving.



Simmer - 90°C maintains a gentle boil, ideal for purée, rice, pasta or vegetables.

INDUCTION HOBS



UBINDE60MT
4 ZONE PLUG-IN INDUCTION HOB

CATA 100

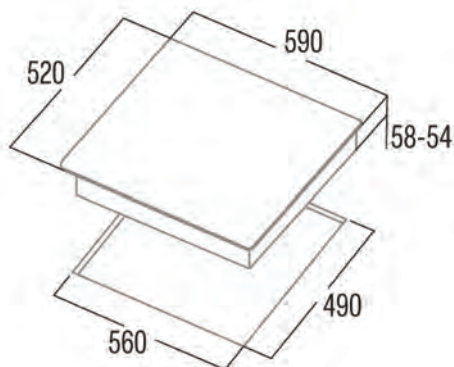


KEY FEATURES

**60cm Width · 4 Cooking Zones · 9 Power Settings + Boost
Touch Control with Red LED Display
Power Management System, Configurable for 13A-32A**

SPECIFICATION

- Black glass
- Cooking timer
- Child safety lock
- 3 preset warming functions for precise temp control
 - Defrost (50°C)
 - Keep warm (70°C)
 - Simmer (90°C)
- 2.8kW default power (configurable up to 7kW)
- Cable with UK plug (13A connection)
- Supplied with hardwire cable (32A connection)
- W590 x D520 x H58 mm
- Cut-out W560 x D490 mm
- Sustainable packaging



UBIND60MT
4 ZONE INDUCTION HOB

CATA 100

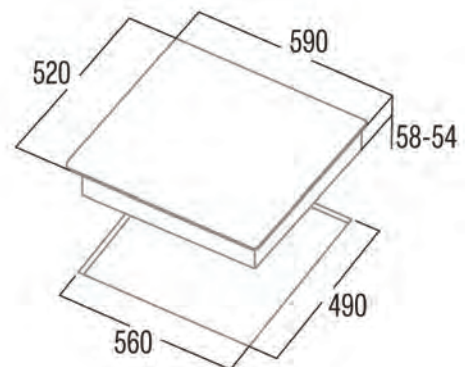


KEY FEATURES

**60cm Width · 4 Cooking Zones · 9 Power Settings + Boost
Touch Control with Red LED Display**

SPECIFICATION

- Black glass
- Cooking timer
- Child safety lock
- 3 preset warming functions for precise temp control
 - Defrost (50°C)
 - Keep warm (70°C)
 - Simmer (90°C)
- 7kW total power
- Cable without plug (32A connection)
- W580 x D520 x H58 mm
- Cut-out W560 x D490 mm
- Sustainable packaging



INDUCTION HOBS



UBIND30FLC
2 ZONE PLUG-IN INDUCTION HOB

CATA 300

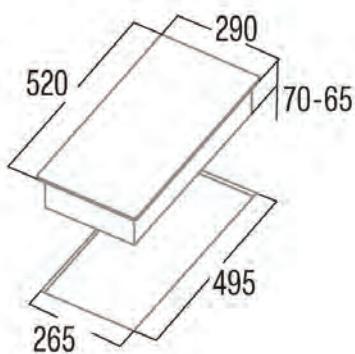


KEY FEATURES

30cm Width • 2 Cooking Zones • 9 Power Settings + Boost
Touch Control with Red LED Display

SPECIFICATION

- Black glass
- Cooking timer
- Child safety lock
- 2.8kW total power
- Cable with UK plug (13A connection)
- W290 x D520 x H70 mm
- Cut-out W265 x D490 mm



UBIND60MS
4 ZONE INDUCTION HOB

CATA 300

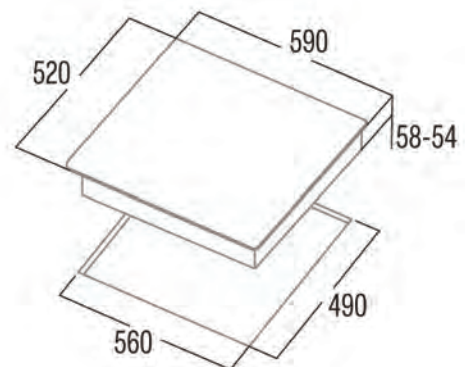


KEY FEATURES

60cm Width • 4 Cooking Zones • 9 Power Settings + Boost
Touch Slider Control with Red LED Display

SPECIFICATION

- Black glass
- Cooking timer
- Child safety lock
- 3 preset warming functions for precise temp control
 - Defrost (50°C)
 - Keep warm (70°C)
 - Simmer (90°C)
- 7kW total power
- Cable without plug (32A connection)
- W590 x D520 x H58 mm
- Cut-out W560 x D490 mm

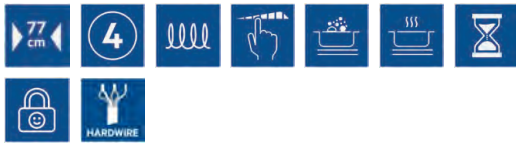


INDUCTION HOBS



UBIND77F 4 ZONE INDUCTION HOB

CATA 300

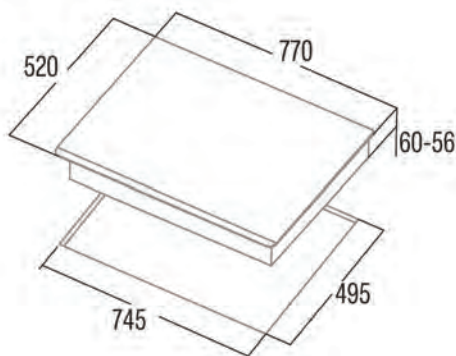


KEY FEATURES

77cm Width · 4 Cooking Zones
Touch Slider Control with Red LED Display
9 Power Settings + Boost

SPECIFICATION

- Black glass
- Keep warm (70°C function)
- Cooking Timer
- Child safety lock
- 7.2kW total power
- Cable without plug (32A connection)
- W770 x D520 x H65 mm
- Cut-out W745 x D495 mm



UBIND90F 5 ZONE INDUCTION HOB

CATA 300

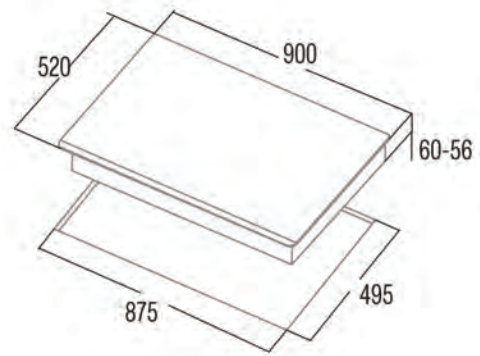


KEY FEATURES

90cm Width · 5 Cooking Zones
Touch Slider Control with Red LED Display
9 Power Settings + Boost

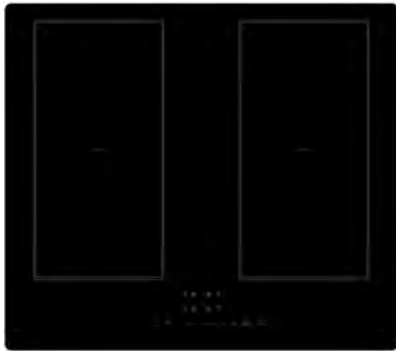
SPECIFICATION

- Black glass
- Keep warm (70°C function)
- Cooking Timer
- Child safety lock
- 9.3kW total power
- Cable without plug (45A connection)
- W900 x D520 x H65 mm
- Cut-out W875 x D495 mm

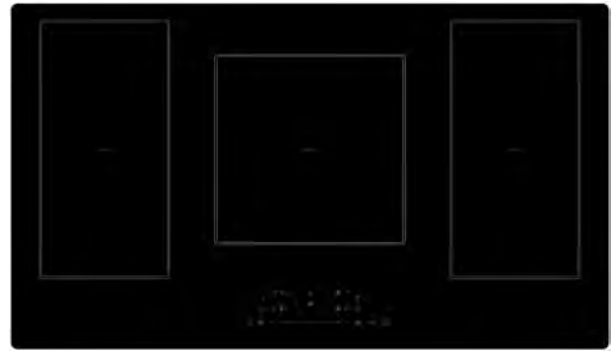


FLEX INDUCTION HOBS

NEW



NEW



HOBS

UBINDFX60MS

4 ZONE FLEX INDUCTION HOB

CATA 500



KEY FEATURES

60cm Width · 9 Power Settings + Boost
4 Cooking Zones with 2 Flex Zones
Touch Slider Control with Red LED Display

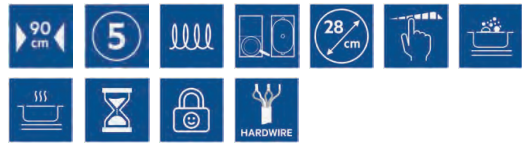
SPECIFICATION

- Black glass
- Keep warm (70°C function)
- Cooking Timer
- Child safety lock
- 7.2kW total power
- Cable without plug (32A connection)
- W590 x D520 x H65 mm
- Cut-out W565 x D495 mm

UBINDFX90MS

5 ZONE FLEX INDUCTION HOB

CATA 500

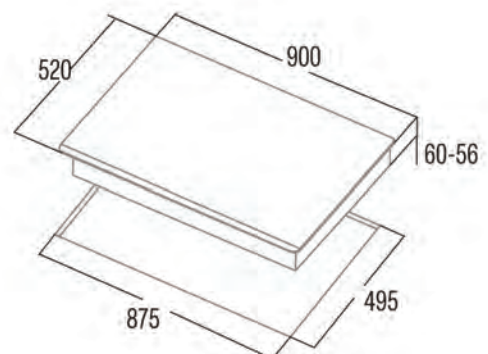
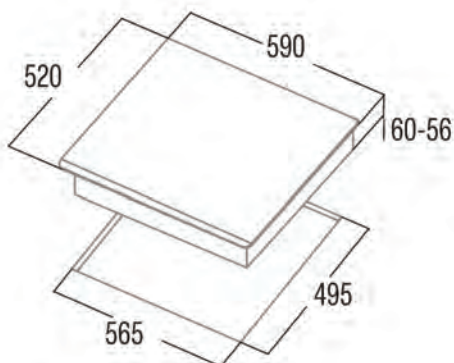


KEY FEATURES

90cm Width · 9 Power Settings + Boost
5 Cooking Zones with 2 Flex Zones
28cm Central Cooking zone
Touch Slider Control with Red LED Display

SPECIFICATION

- Black glass
- Keep warm (70°C function)
- Cooking Timer
- Child safety lock
- 9kW total power
- Cable without plug (40A connection)
- W900 x D520 x H65 mm
- Cut-out W875 x D495 mm



HIDDEN CONTROL INDUCTION HOBS



Hidden Touch Controls
Invisible until you wake-up the hob

CATINDE60HF

4 ZONE PLUG-IN FLEX INDUCTION HOB

CATA 700

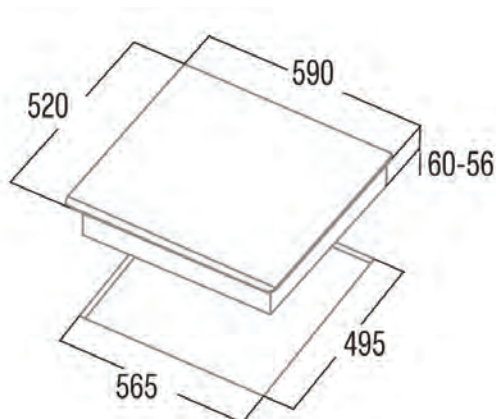


KEY FEATURES

60cm Width • 4 Cooking Zones with 2 Flex Zones
Power Management System - Configurable for 13-32A
Hidden Touch Slider Control with White LED Display
9 Power Settings + 2 Boost Settings
Highest Quality Schott Ceran® Glass

SPECIFICATION

- Black glass
- Cooking timer
- Child safety lock
- 4 preset warming functions for precise temp control
 - Melt (42°C)
 - Defrost (55°C)
 - Keep warm (70°C)
 - Simmer (90°C)
- 3 Cooking modes - Chef, Grill and BBQ
- Pause, recall, pot move and pasta/rice functions
- 2.8kW default power (configurable up to 7.2kW)
- Cable with UK plug (32A connection)
- Supplied with hardwire cable (32A connection)
- W590 x D520 x H60 mm
- Cut-out W565 x D495 mm
- Sustainable packaging



BENEFITS

The "Pot Move" function takes the hassle out of cooking by allowing the heat to follow your pan. When activated, this feature remembers your heat settings and automatically adjusts them as you move the pan across different zones of the hob. Slide a pot forward to increase the heat, or move it back to simmer, without pressing a single button.

ACCESSORIES



GRILL2 - Induction Griddle

This cast iron griddle, designed for Cata induction hobs with bridgeable zones, offers excellent heat distribution and retention for flavourful cooking. Its non-stick surface is ideal for vegetables and meats, promotes healthier cooking, and is dishwasher-safe for easy cleanup.

HIDDEN CONTROL INDUCTION HOBS



Hidden Touch Controls
Invisible until you wake-up the hob

HOBS

CATIND90HF

6 ZONE FLEX INDUCTION HOB

CATA 700



KEY FEATURES

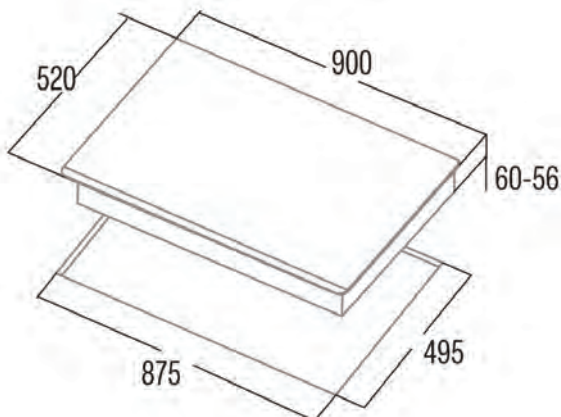
90cm Width • 6 Cooking Zones with 3 Flex Zones
Hidden Touch Slider Control with White LED Display
9 Power Settings + 2 Boost Settings
Highest Quality Schott Ceran® Glass

SPECIFICATION

- Black glass
- Cooking timer
- Child safety lock
- 4 preset warming functions for precise temp control
 - Melt (42°C)
 - Defrost (55°C)
 - Keep warm (70°C)
 - Simmer (90°C)
- 3 Cooking modes - Chef, Grill and BBQ
- Pause, recall, pot move and pasta/rice functions
- 10.8kW total power
- Cable without plug (50A connection)
- W900 x D520 x H60 mm
- Cut-out W875 x D495 mm
- Sustainable packaging

BENEFITS

"Chef Mode" on our induction hobs is designed for professional-style cooking at home. This intelligent feature divides the hob into preset heat zones - typically high, medium, and low - so you can move pans across the surface without adjusting the temperature manually. Sear, simmer, and keep warm all at once by simply shifting your cookware from one area to another.



VENTED HOB - FEATURES & BENEFITS

Introduction

Experience superior ventilation with our venting downdraft hobs. These sleek and efficient appliances seamlessly combine induction cooking with powerful ventilation, revolutionising the way we prepare our favourite dishes. Engineered to eliminate cooking fumes, grease and odours effortlessly. The filtered air can be recirculated back into the kitchen or vented outside through ducting to ensure a clean and comfortable cooking atmosphere.

* Note - not all features are available on all Cata models, please refer to individual model specs for details.



Space Saving Design

Cata has developed our most compact vented hob platform yet, with a height of only 17cm. The most compact built-in height on the market!!



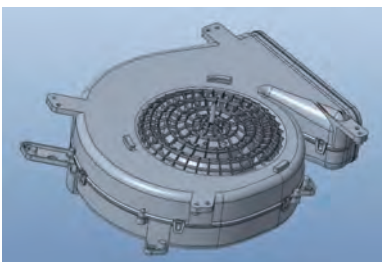
Rearward Outlet

Our specially developed telescopic ducting with wooden edge protection aids installing the venting hob for recirculation or external ventilation. Choose from our two vent kits - our flexible ducting kit for recirculation of air back into the kitchen, or our external ducting kit which comes with external wall vent.



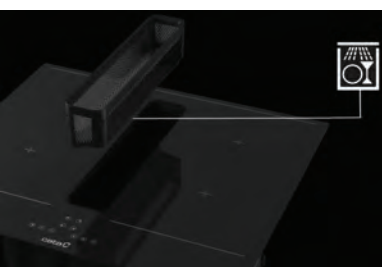
Compact Installation

The integration of the downdraft ventilation system into the hob eliminates the need for a separate overhead range hood, saving valuable kitchen space and creating a cleaner, uncluttered look. And because filtered air is directed rearwards to keep the overall height to a minimum, this allows extra space beneath the hob for full depth drawers.



Patented Extraction System

The ultra low height is achieved with the use of our innovative and patented flat fan motor, that delivers high energy efficiency, powerful airflow and yet keeps noise low despite of its compact size.



Grease Filter

The aluminium mesh filter basket removes greases from the cooking fumes, captures and removes grease particles from the air during cooking, preventing them from accumulating in the hood or exhaust system.

And to make life easier, its washable and can even be put in the dishwasher.

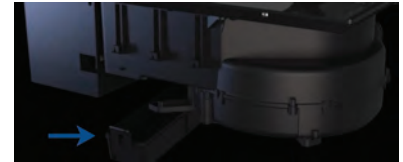
Recirculation Filters

Activated carbon filter blocks act as a second line of filtration, and are highly efficient at removing cooking odours. The blocks can be regenerated after 6 to 9 months use, by baking them in the oven for around 1 hour at 120°C, to extend their life up to 5 years!



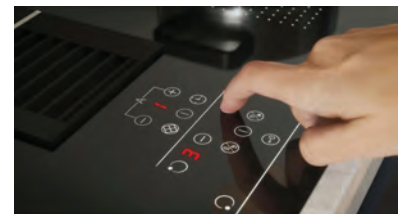
Liquid Tank

Our cleverly designed liquid tank is there to capture any spilled-water or condensate safely. Liquid is contained in the easy-to-remove tank and features a drainage hole with cap, to allow you to drain off the majority before removal.



Touch Controls

All of Cata vented induction hobs come with an intuitive LED touch control display for effortless and precise control over cooking settings. Our touch controls come in two options - Touch Sense which uses individual touch buttons, and our Touch Slider where temperature setting is as simple as sliding your finger.



Hidden Touch Controls

Invisible when hob is off, our hidden touch slider displays the controls only when you need them. Simply touch the pulsing standby button and the hob comes to life, ready to help you prepare your favourite dishes.



Boost Function

Our vented hobs include a boost function, temporarily boosts suction power to quickly remove strong odors or smoke. It ensures rapid removal of grease and steam, maintaining a cleaner environment. After the boost time is up, the extractor will automatically revert to a lower setting, preventing unnecessary power use.



Warming Functions

Activate one of up to four warming functions built in to your induction hob, allowing you to cook according to your taste.

Melt - 42°C for melting butter, chocolate or warming up milk without burning. Defrost - 55°C to gently thaw food in the pan.

Keep Warm - 70°C keeps pre-cooked food warm before serving.

Simmer - 90°C maintains a gentle boil, ideal for purée, rice, pasta or veg.

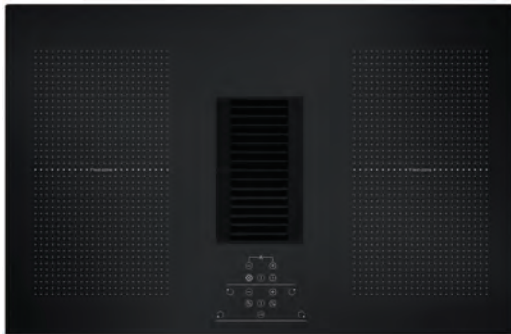


Flex Zones

All of our vented hobs feature bridge zones or flex zones, allowing you to combine two adjacent cooking zones into a larger one. This feature is useful for accommodating oversized cookware such as large pans, fish kettles, griddle plates, or multiple dishes with even heat, ideal for cooking steaks or large meals.



VENTED HOBS



ICONFLEX75DD

4 ZONE FLEX VENTED IND. HOB

CATA 300



KEY FEATURES

77cm Width • 4 Cooking Zones with 2 Flex Zones
Touch Control with Red LED Display
9 Power Settings + Boost • Upto 580m³/h Airflow

SPECIFICATION

- Black glass with black grille
- 6 fan speeds
- BLDC motor
- Keep warm (70°C function)
- Cooking timer
- Child safety lock
- Extractor delay shutdown function
- Aluminium grease filters (dishwasher safe)
- Noise max. 67dB
- A energy rating
- 7.2kW total power
- Cable without plug (32A connection)
- W770 x D520 x H283 mm
- Cut-out W750 x D490 mm



ICONFXP75DDS

4 ZONE FLEX VENTED IND. HOB

CATA 300



KEY FEATURES

77cm Width • 4 Cooking Zones with 2 Flex Zones
Touch Control with Red LED Display
9 Power Settings + Boost • Upto 580m³/h Airflow

SPECIFICATION

- Black glass with black grille
- Silver decor trims
- 6 fan speeds
- BLDC motor
- Keep warm (70°C function)
- Cooking timer
- Child safety lock
- Extractor delay shutdown function
- Aluminium grease filters (dishwasher safe)
- Noise max. 67dB
- A energy rating
- 7.2kW total power
- Cable without plug (32A connection)
- W770 x D520 x H283 mm
- Cut-out W750 x D490 mm

VENTILATION KITS

Ensure you purchase the correct vent kit depending on how you intend to vent your hob. The extractor unit in the Cata vented hob can be ducted to the outside or to recirculate.

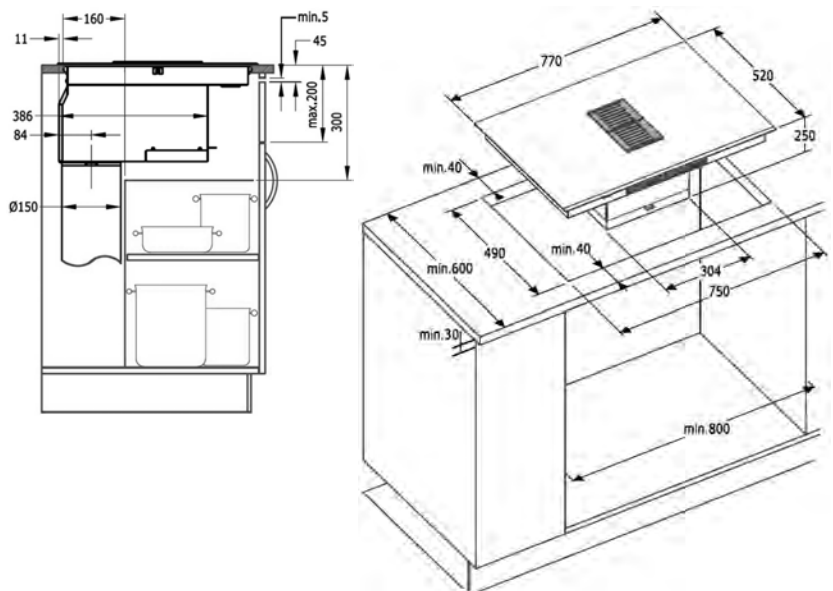
KITVENT2F - External Ducting Kit

For venting to the outside (sold separately)



ICONFKIT2 - Recirculation Kit

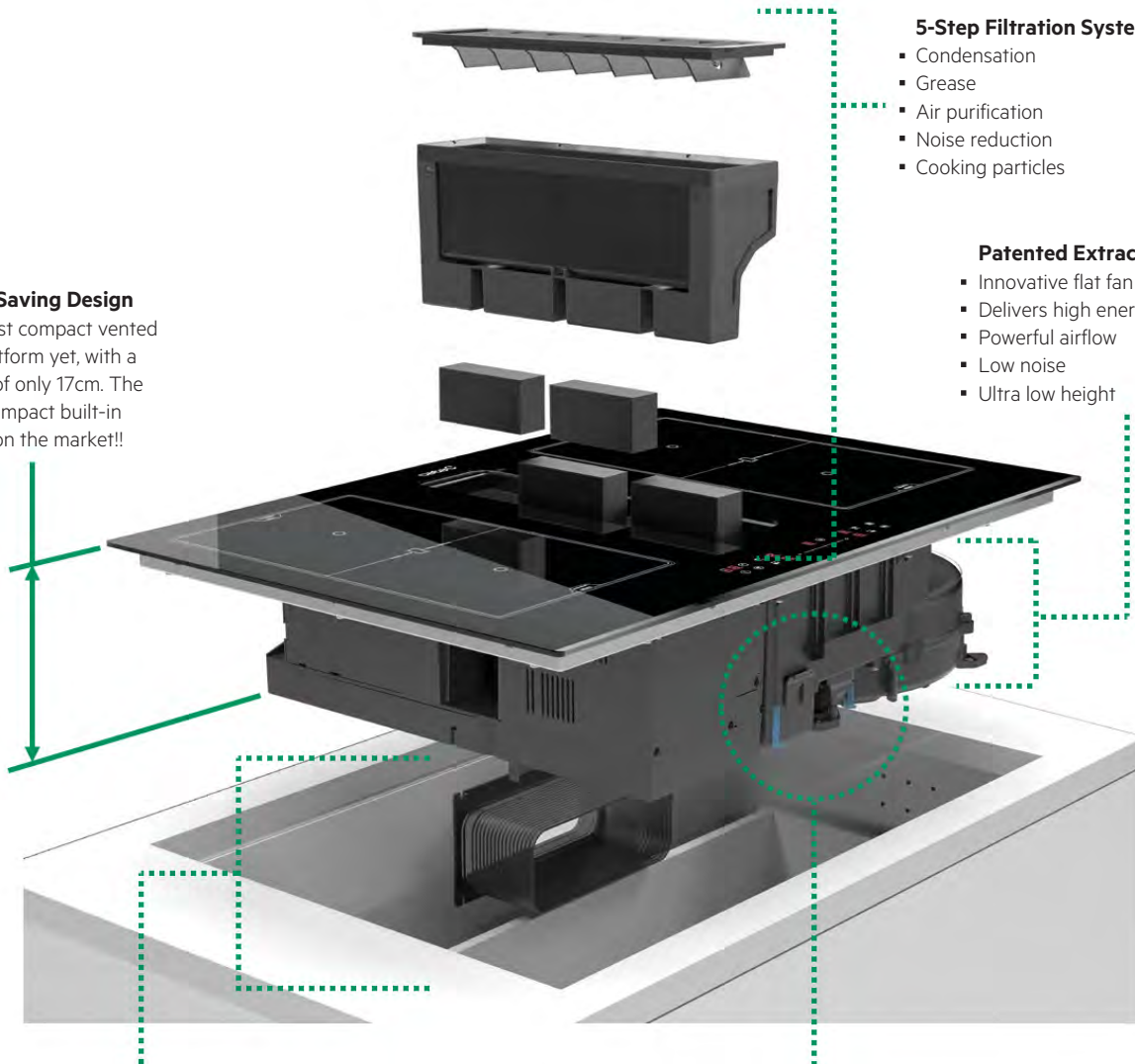
For recirculating into the kitchen (sold separately)



SHALLOW DEPTH VENTED HOBS

Space Saving Design

Our most compact vented hob platform yet, with a height of only 17cm. The most compact built-in height on the market!!



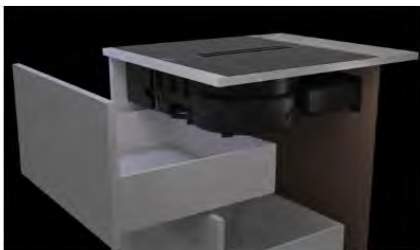
5-Step Filtration System:

- Condensation
- Grease
- Air purification
- Noise reduction
- Cooking particles

Patented Extraction System

- Innovative flat fan motor
- Delivers high energy efficiency
- Powerful airflow
- Low noise
- Ultra low height

HOBS



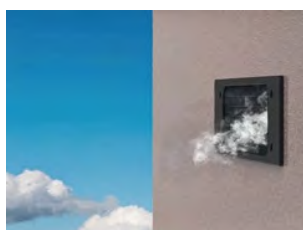
Compact Installation

- Filtered air is directed rearwards
- Creates extra space under the hob for full depth drawers.
- Gain up to 45 litres of storage space.
- Its compact design fits into a 60cm wide cabinet.



Double Liquid Collection Tank

- 1) Upper Tank, accessible from the top
 - 0.5 litre capacity
 - At bottom of the grease basket filter
- 2) Main Tank, accessible from below
 - 1.5 litre capacity
 - Contains a drain valve
 - Dishwasher safe



Direct External Venting Installation



Under The Plinth Recirculation Installation

SHALLOW DEPTH VENTED HOBS



UBDD60CF / UBDD77CF

4 ZONE FLEX VENTED INDUCTION HOB

CATA 500



KEY FEATURES

60cm or 77cm Width • 4 Cooking Zones with 2 Flex Zones
Touch Slider Control with Red LED Display
9 Power Settings + 2 Boost Settings • Upto 691m³/h Airflow

SPECIFICATION

- Black glass with black grill
- 5 fan speeds + boost
- BLDC motor
- 3 preset warming functions
 - Melt (42°C)
 - Keep warm (70°C)
 - Simmer (90°C)
- Cooking timer
- Child safety lock
- Extractor delay shutdown
- Aluminium mesh grease filter (dishwasher safe)
- Noise max 69dB / boost 74dB
- A+ energy rating
- 7.4kW total power
- Cable without plug (32A connection)
- 60cm model
 - Max airflow 491m³/h / boost 673m³/h
 - W590 x D520 x H170 mm
 - Cut-out W560 x D490 mm
- 77cm model
 - Max airflow 498m³/h / boost 691m³/h
 - W770 x D520 x H170 mm
 - Cut-out W750 x D490 mm

BENEFITS

- New “Compact” platform – 170mm Install Height, Smallest on the Market!
- 3 Preset Warming Functions - Melt, Keep Warm & Simmer
- Secondary Filtering with 4 Regenerative Ceramic Blocks (supplied with recirculation kit).

SHALLOW DEPTH VENTILATION KITS

The Cata vented hob's extractor can be ducted outside or set to recirculate. Just remember to buy the appropriate vent kit with your new hob!

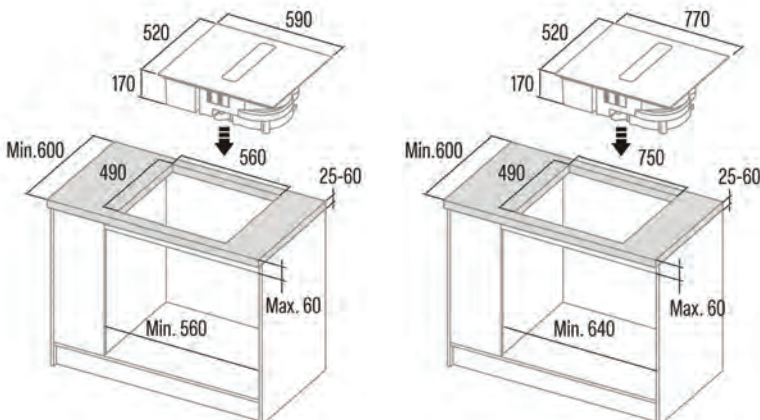
KITVENTSL1X - External Ducting Kit

For venting to the outside (sold separately)



KITVENTSL1R - Flexible Recirculation Kit

For recirculating into the kitchen (sold separately)





SHALLOW DEPTH VENTED HOBS



HOBS

CATDD60CHF / CATDD77CHF

4 ZONE FLEX VENTED INDUCTION HOB

CATA 700



KEY FEATURES

- 60cm or 77cm Width • 4 Cooking Zones with 2 Flex Zones
- Hidden Touch Slider Control with White LED Display
- 9 Power Settings + 2 Boost Settings • Upto 691m³/h Airflow
- Highest Quality Schott Ceran® Glass

SPECIFICATION

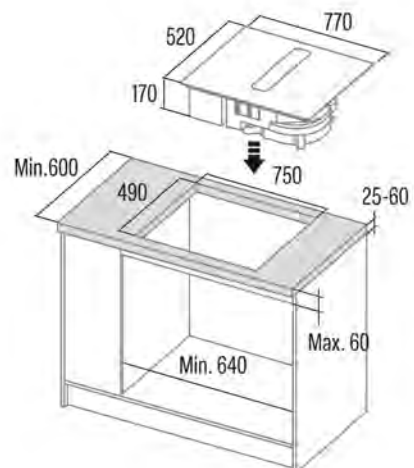
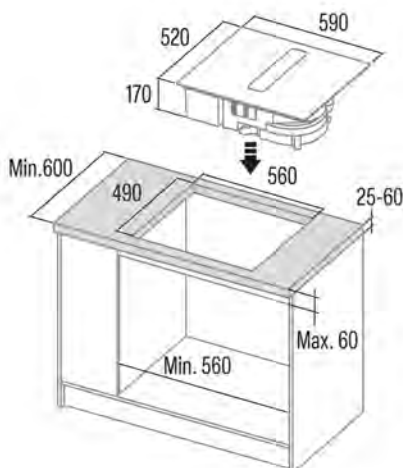
- Black glass with black grill
- 5 fan speeds + boost
- BLDC motor
- 4 preset warming functions
 - Melt (42°C)
 - Defrost (55°C)
 - Keep warm (70°C)
 - Simmer (90°C)
- Cooking timer
- Child safety lock
- Extractor delay shutdown
- Aluminium mesh grease filter (dishwasher safe)
- Noise max 69dB / boost 74dB
- A+ energy rating
- 7.4kW total power
- Cable without plug (32A connection)
- 60cm model
 - Max airflow 491m³/h / boost 673m³/h
 - W590 x D520 x H170 mm
 - Cut-out W560 x D490 mm
- 77cm model
 - Max airflow 498m³/h / boost 691m³/h
 - W770 x D520 x H170 mm
 - Cut-out W750 x D490 mm

BENEFITS

- New "Compact" platform – 170mm Install Height, Smallest on the Market!
- 4 Preset Warming Functions - Melt, Defrost, Keep Warm & Simmer.
- Secondary Filtering with 4 Regenerative Ceramic Blocks (supplied with recirculation kit).
- Chef Cooking Modes to meet the needs of every culinary master.



Hidden Touch Controls
Invisible until you wake-up the hob





HOODS



HOODS

COOKER HOOD RANGE OVERVIEW

WALL CHIMNEY HOODS

CATA 100



UBSCH..SS p77



UBSCH..BK p78



UBSCH100.. p79



UBSCG..SS p80

CATA 100

CATA 300



UBSCG..BK p81



ANG..BK p82



UBSBOX..SS p83



UBSBOX..BK p84

CATA 300

CATA 500

CATA 700



UBARUNW.. p85



UBAHALO.. p86



ICON..H p87



CATAGM..MB p88

ISLAND HOODS

CATA 100



ISLA90BK p89



ISLA90SS p89

INTEGRATED HOOD

CATA 100 CATA 300



UBSVH60.. p90



VHDSW60.1 p90



UBSTH..SS.1 p91



UBSTH60BK.1 p91



UBINTD60SV.2 p92



UBCAN..SV.2 p93



UBSCAN..BK p94

CATA 500

CATA 700



UBICON..BK.1 p95



CATICON..BK p96



CATCAN..BK p98

DOWNDRAFT HOODS

CEILING HOODS

CATA 500

CATA 500



UBDDGS90ABK1 p99



UBDDGS60ABK1 p99



UBSDCH902BK p100



UBSDCH901W p100

HOODS

COOKER HOOD - FEATURES & BENEFITS

Introduction

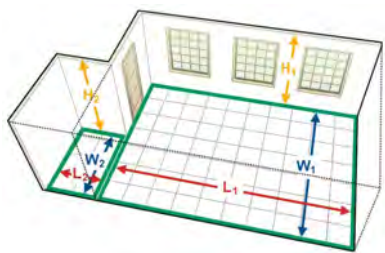
Transform your kitchen with the Cata cooker hood range, where style meets superior performance. Choose from many styles, including box, angled glass, chimney, integrated, canopy, curved glass, downdraft, telescopic, ceiling or island, and available in widths ranging from 52cm to 90cm (depending on model) to suit any layout. Boasting airflow from 200m³/h to 640m³/h, our hoods they deliver powerful, energy-efficient yet quiet extraction, maintaining a fresh and calm cooking space.

* Note - not all features are available on all Cata models, please refer to individual model specs for details.



Airflow Rate

The extraction rate you need for a cooker hood depends on your kitchen size, cooking style, and how often you cook. A good rule is to aim for a rate of at least 10 times your kitchen's volume per hour - so a 50 cubic metre kitchen needs at least 500 m³/h. If you cook strong smelling foods or use high heat often, consider a hood with higher airflow to clear fumes, steam, and odours effectively.



How to Calculate Your Room Size

To calculate the volume of a room, you need to measure its length, width, and height, then multiply these three dimensions together. Ensure all measurements are in the same unit (e.g., metres) before multiplying. Make sure to include any recesses or dining, family or living areas, if you have an open plan room. Example, if a room is 5 metres long, 4 metres wide, and 2.5 metres high, the volume would be: 5m x 4m x 2.5m = 50m³ (cubic metres).

Room Size Guidance

Whether you're working with a compact layout or a large open-plan design, there's a Cata hood with the ideal performance and style to complete your kitchen. To help your decision process, we have added an icon to each hood to determine what size kitchen (small, medium, large or extra large), that particular hood would be ideal for.



< 250 m³/h



250 - 450 m³/h



450 - 700 m³/h

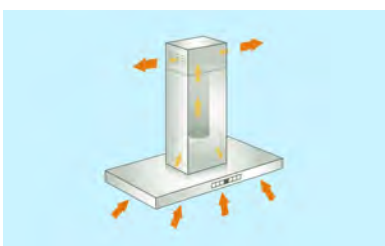


> 700 m³/h



Extraction

When setup for venting or extraction, a cooker hood pulls kitchen air, loaded with cooking fumes, smoke, and odours, and pushes it outside through a duct or vent. It's one of the best ways to clear pollutants and keep your kitchen fresh. You'll need a duct system installed to an outer wall or roof for it to work though.



Recirculation

A cooker hood setup to recirculate filters kitchen air and sends it back into the same room. It traps grease and particles typically with a mesh filter, then captures the odours in a carbon filter before it releases the cleaned air. Advantage is no external vent needed, which makes setup a breeze - perfect for kitchens where ducting isn't an option.

Touch Controls

Touch control on Cata cooker hoods offer a sleek, modern way to adjust settings like fan speed and lighting with a simple tap. It's intuitive and responsive, making operation effortless, especially during busy cooking. The flat, button-free surface is easy to clean, preventing grease buildup, and adds a stylish, high-tech look to your kitchen while enhancing functionality.



Hidden Touch Controls

Invisible when the hood is off, our hidden touch displays the controls only when you need them. Simply touch the red standby button and the cooker hood comes to life, ready to help you ventilate your kitchen.



Gesture Control

Meet the new Cata 700 Black Glass canopy hoods with Gesture Control. A built-in gesture sensor lets you adjust fan speeds and lighting with a hand wave - no touching required. No more fiddling around under the canopy trying to locate the controls, it's also perfect when your hands are messy from cooking, keeping things hygienic and hassle free.



Boost Function

Some Cata cooker hoods include a boost function, designed to deliver maximum extraction power when you need it most. Whether you are stir frying, searing meat or cooking big meals, our boost function ensures that steam and smoke are quickly and effectively extracted, ensuring your kitchen stays fresh and clean.



Black Filters

An aluminium grease filter in a cooker hood traps grease and smoke, keeping your kitchen air clean and the hood's motor safe. It's durable, reusable, and easy to clean. Cata's all-black aluminium filters add a stylish, modern twist while delivering top-notch performance - perfect for adding a modern vibe to your kitchen.



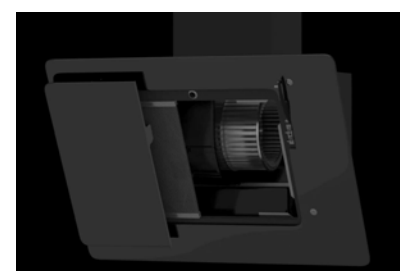
Ambient Lighting

Illuminate your culinary creations with energy-efficient LED lighting. In addition to the LED downlights, some of our cooker hoods feature subtle LED decorative lights, adding a stylish touch and ambiance to your kitchen.



BLDC Motor

Many of Cata's cooker hoods feature BLDC motors, which provide several advantages compared to traditional AC motors. Unlike brushed motors, which use mechanical brushes and a commutator, BLDC motors employ an electronic controller to switch DC currents, creating rotating magnetic fields that the permanent magnet rotor follows. This design provide higher energy efficiency, quieter operation, longer lifespan, and better performance.



CHIMNEY HOODS



UBSCH60SS.1 / UBSCH70SS.1 / UBSCH90SS.1

CHIMNEY HOOD

CATA 100



KEY FEATURES

60cm, 70cm or 90cm Widths in Stainless Steel finish
 Push Button Controls · 3 Fan Speeds
 Max Airflow 362m³/h (60/70/90cm)
 Noise Max. 65dB (60/70/90cm)

SPECIFICATION

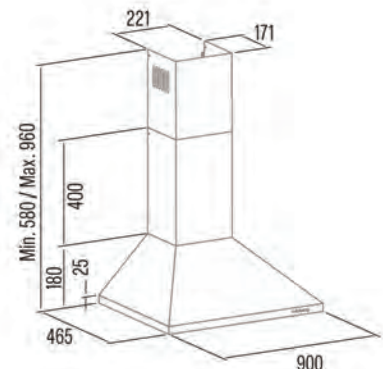
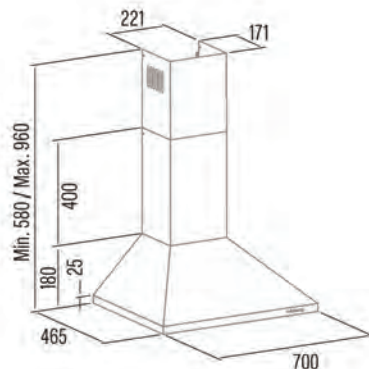
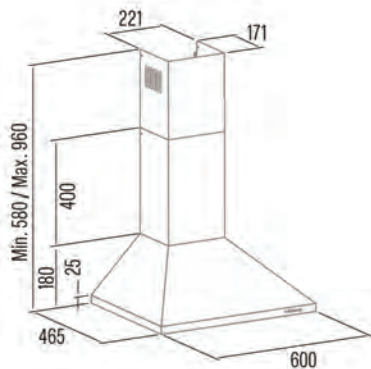
- Stainless steel housing & chimney
- 1.5W rectangular LED lamps (white light)
- 2x Aluminium grease filters
- 150mm air outlet
- B energy rating
- Carbon filter: SCF2 (not supplied)
- 2-piece height adjustable chimney section
- 66.5W total power
- Cable without plug (3A connection)
- W600/900 x D465 x H580-960 mm

HOOD ACCESSORIES



KITVENT2F - 150mm Hood Vent Kit

External ventilation kit suitable for all Cata hoods with 150mm outlets.



CHIMNEY HOODS



UBSCH60BK.1 / UBSCH70BK.1 / UBSCH90BK.1

CHIMNEY HOOD

CATA 100

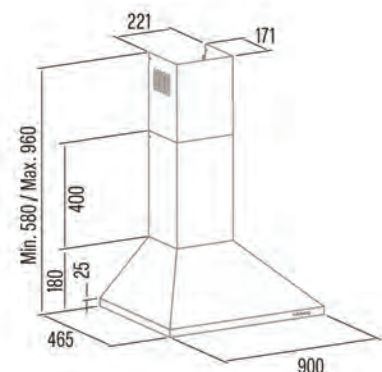
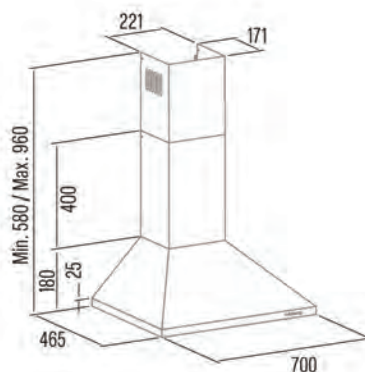
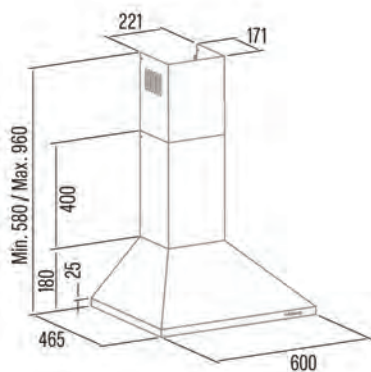


KEY FEATURES

- 60cm, 70cm or 90cm Widths in Black Finish
- Push Button Controls · 3 Fan Speeds
- Max Airflow 362m³/h (60/70/90cm)
- Noise Max. 65dB (60/70/90cm)

SPECIFICATION

- Black painted housing & chimney
- 1.5W rectangular LED lamps (white light)
- 2x Aluminium grease filters
- 150mm air outlet
- B energy rating
- Carbon filter: SCF2 (not supplied)
- 2-piece height adjustable chimney section
- 66.5W total power
- Cable without plug (3A connection)
- W600/700/900 x D465 x H580-960 mm



CHIMNEY HOODS



UBSCH100BK / UBSCH100SS

CHIMNEY HOOD

CATA 100

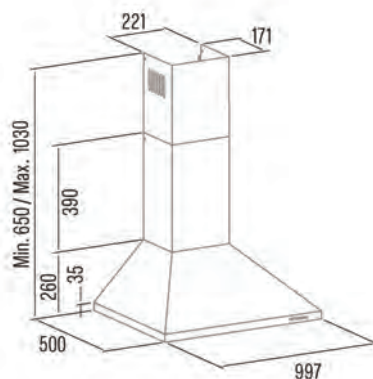


KEY FEATURES

- 100cm Width in Black or Stainless Steel Finish**
- Push Button Controls · 3 Fan Speeds**
- Max Airflow 537m³/h · Noise Max. 61dB**

SPECIFICATION

- Black painted or stainless steel housing & chimney
- 15W round LED lamps (white light)
- 3x Aluminium grease filters
- 150mm air outlet
- C energy rating
- Carbon filter: SCF1 (not supplied)
- 2-piece height adjustable chimney section
- 103W total power
- Cable without plug (3A connection)
- W1000 x D465 x H695-1075 mm



CURVED GLASS HOODS



UBSCG60SS / UBSCG70SS / UBSCG90SS CURVED GLASS HOOD

CATA 100



KEY FEATURES

60cm, 70cm or 90cm Widths in Stainless Steel Finish
Push Button Controls · Noise Max. 64dB (60/70cm) / 61dB (90cm)
Max Airflow 308m³/h (60/70cm) / 509m³/h (90cm) · 3 Fan Speeds

SPECIFICATION

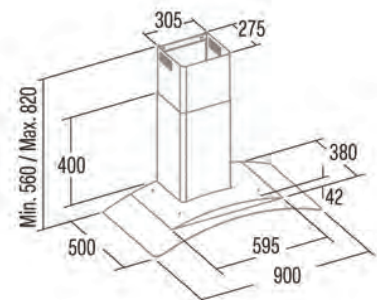
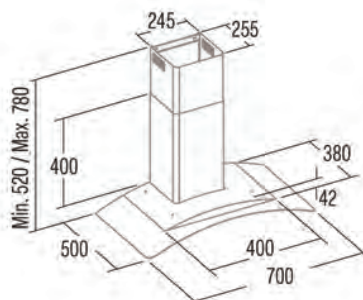
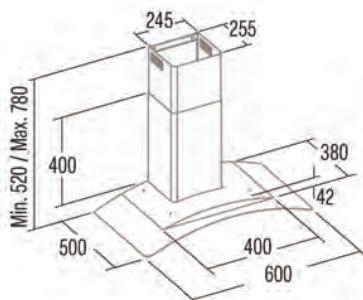
- Curved glass decor panel
- Stainless steel housing & chimney
- 1.5W rectangular LED lamps (white light)
- 1x aluminium grease filters (60/70cm)
- 2x Aluminium grease filters (90cm)
- 150mm air outlet
- B energy rating (60/70cm)
- C energy rating (90cm)
- Carbon filter (not supplied): SCF1 (60/70cm) or SCF2 (90cm)
- 2-piece height adjustable chimney section
- 66.5W total power (60/70cm)
- 103W total power (90cm)
- Cable without plug (3A connection)
- W600/700/900 x D465 x H580-960 mm

HOOD ACCESSORIES



KITVENT2F - 150mm Hood Vent Kit

External ventilation kit suitable for all Cata hoods with 150mm outlets.



CURVED GLASS HOODS



UBSCG60BK / UBSCG70BK / UBSCG90BK CURVED GLASS HOOD

CATA 100



KEY FEATURES

- 60cm, 70cm or 90cm Widths in Black Finish · 3 Fan Speeds
- Push Button Controls · Noise Max. 64dB (60/70cm) / 61dB (90cm)
- Max Airflow 308m³/h (60/70cm) / 509m³/h (90cm)

SPECIFICATION

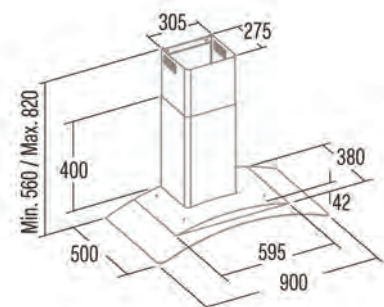
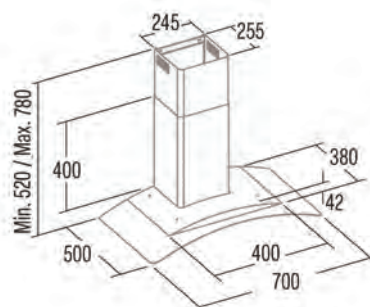
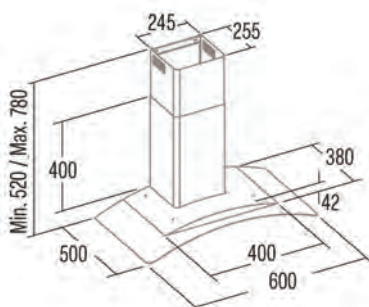
- Curved glass decor panel
- Black painted housing & chimney
- 1.5W rectangular LED lamps (white light)
- 1x aluminium grease filters (60/70cm)
- 2x Aluminium grease filters (90cm)
- 150mm air outlet
- B energy rating (60/70cm)
- C energy rating (90cm)
- Carbon filter (not supplied): SCF1 (60/70cm) or SCF2 (90cm)
- 2-piece height adjustable chimney section
- 66.5W total power (60/70cm)
- 103W total power (90cm)
- Cable without plug (3A connection)
- W600/700/900 x D465 x H580-960 mm

HOOD ACCESSORIES



KITVENT2F - 150mm Hood Vent Kit

External ventilation kit suitable for all Cata hoods with 150mm outlets.



ANGLED GLASS HOODS



ANG60BK / ANG70BK / ANG90BK

ANGLED GLASS HOOD

CATA 100



KEY FEATURES

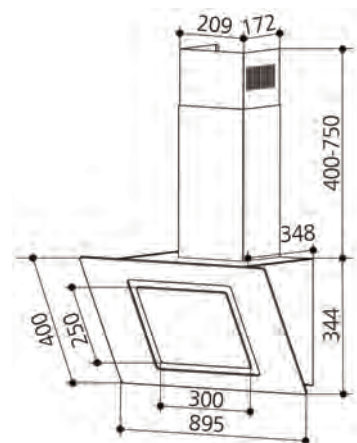
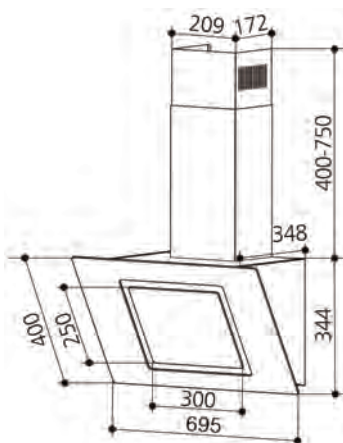
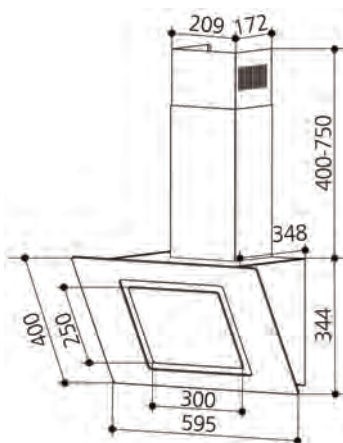
60cm, 70cm or 90cm Widths in Black Finish

3 Fan Speeds · Touch Controls with White LED Display

Max Airflow 326m³/h · Noise Max. 64dB

SPECIFICATION

- Black glass decor panel
- Black painted housing & chimney
- Delay timer function
- 2x 1.5W round LED lamps (white light)
- Aluminium grease filters
- 150mm air outlet
- B energy rating
- Carbon filter: TMFILT1 (not supplied)
- 2-piece height adjustable chimney section
- 68W total power
- Cable without plug (3A connection)
- W595/695/895 x D348 x H835-1120 mm



BOX HOODS



UBSBOX60SS / UBSBOX70SS / UBSBOX80SS / UBSBOX90SS

TOUCH CONTROL BOX HOOD

CATA 300



KEY FEATURES

60cm, 70cm, 80cm or 90cm Widths in Stainless Steel Finish

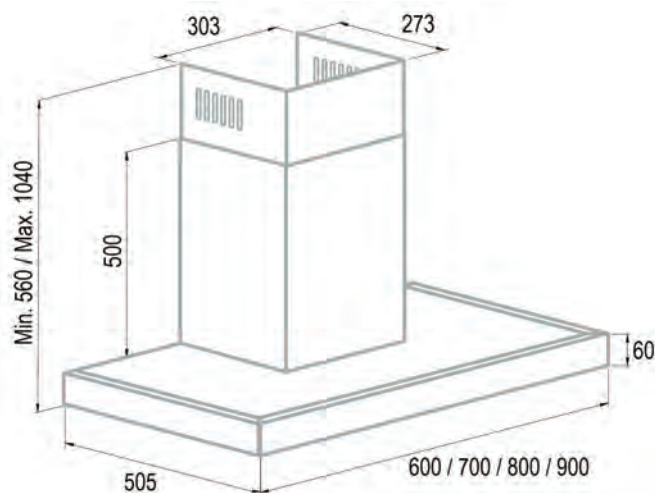
Touch Controls with White LED Display ▪ BLDC Motor

3 Fan Speeds + Boost ▪ Max Airflow 482m³/h / Boost 597m³/h

Noise Max. 58dB / Boost 63dB

SPECIFICATION

- Stainless steel housing & chimney
- Black glass control panel
- 2x 1.5W rectangular LED lamps (white light)
- Aluminium grease filters
- 150mm air outlet
- A++ energy rating
- Carbon filter: SCF1 (not supplied)
- 2-piece height adjustable chimney section
- 73W total power
- Cable without plug (3A connection)
- W600/700/800/900 x D505 x H560-1040 mm



BOX HOODS



UBSBOX60BK / UBSBOX70BK / UBSBOX80BK / UBSBOX90BK TOUCH CONTROL BOX HOOD

CATA 300



KEY FEATURES

- 60cm, 70cm, 80cm or 90cm Widths in Black Finish
- Touch Controls with White LED Display • BLDC Motor
- 3 Fan Speeds + Boost • Max Airflow 482m³/h / Boost 597m³/h
- Noise Max. 58dB / Boost 63dB

SPECIFICATION

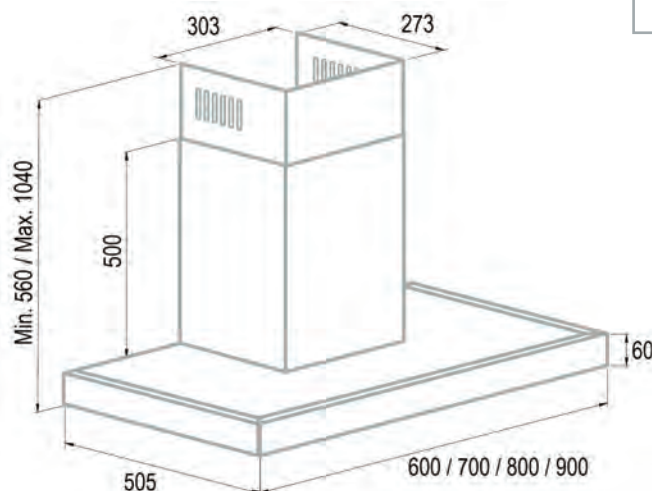
- Black painted housing & chimney
- Black glass control panel
- 2x 1.5W rectangular LED lamps (white light)
- Aluminium grease filters
- 150mm air outlet
- A++ energy rating
- Carbon filter: SCF1 (not supplied)
- 2-piece height adjustable chimney section
- 73W total power
- Cable without plug (3A connection)
- W600/700/800/900 x D505 x H560-1040 mm

HOOD ACCESSORIES



KITVENT2F - 150mm Hood Vent Kit

External ventilation kit suitable for all Cata hoods with 150mm outlets.



ANGLED GLASS HOODS



UBARUNW6 / UBARUNW7 / UBARUNW9

ANGLED GLASS "RUNWAY" HOOD

CATA 300



KEY FEATURES

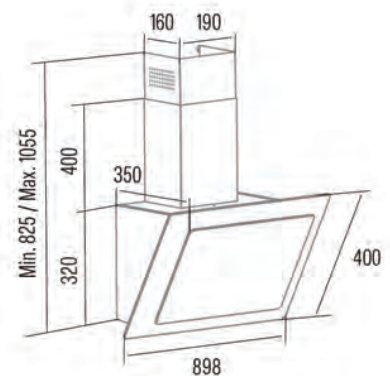
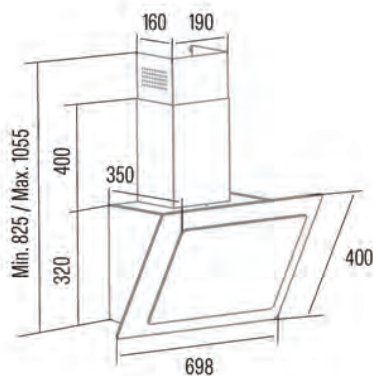
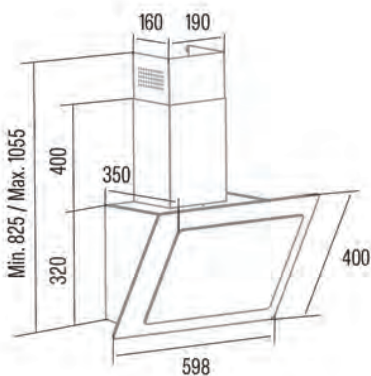
60cm, 70cm or 90cm Widths in Black Finish

3 Fan Speeds • Touch Controls with White LED Display

Noise Max. 67dB • Max Airflow 400m³/h

SPECIFICATION

- Black glass decor panel
- Black painted housing & chimney
- Delay timer function
- 3W white "Runway" ambient lighting
- 3W strip LED lamp (white light)
- Aluminium grease filters
- 125mm air outlet
- B energy rating
- Carbon filter: CARBFILT4 (not supplied)
- 2-piece height adjustable chimney section
- 96W total power
- Cable without plug (3A connection)
- W598/698/898 x D465 x H825-1055 mm



ANGLED GLASS HOODS



HOODS

UBAHALO6 / UBAHALO7 / UBAHALO9

ANGLED GLASS "HALO" HOOD

CATA 300



KEY FEATURES

- 60cm, 70cm or 90cm Widths in Black Finish
- 3 Fan Speeds • Touch Controls with White LED Display
- Noise Max. 67dB • Max Airflow 400m³/h

SPECIFICATION

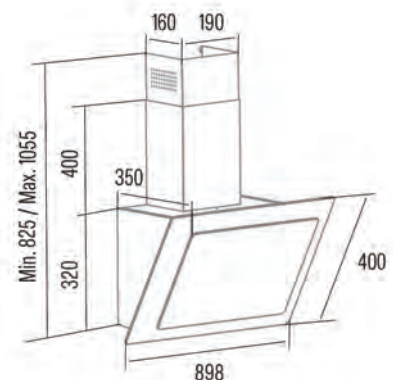
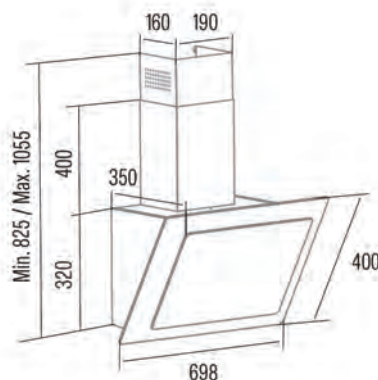
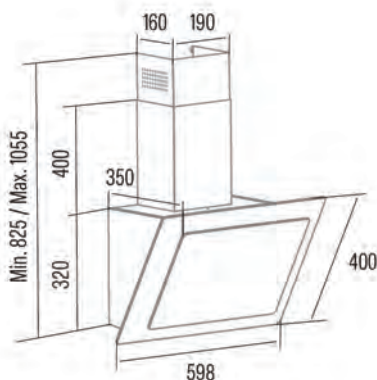
- Black glass decor panel
- Black painted housing & chimney
- Delay timer function
- 3W blue "Halo" ambient lighting
- 3W strip LED lamp (white light)
- Aluminium grease filters
- 125mm air outlet
- B energy rating
- Carbon filter: CARBFILT4 (not supplied)
- 2-piece height adjustable chimney section
- 96W total power
- Cable without plug (3A connection)
- W598/698/898 x D465 x H825-1055 mm

HOOD ACCESSORIES



KITVENT1F - 125mm Hood Vent Kit

External ventilation kit suitable for all Cata hoods with 120mm or 125mm outlets.



ANGLED GLASS HOODS



ICON60H / ICON80H / ICON90H

HIDDEN TOUCH ANGLED GLASS HOOD

CATA 500



KEY FEATURES

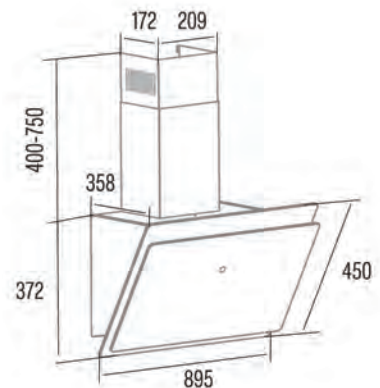
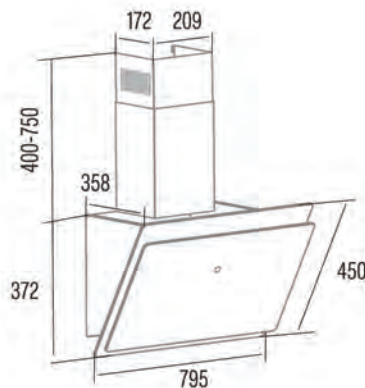
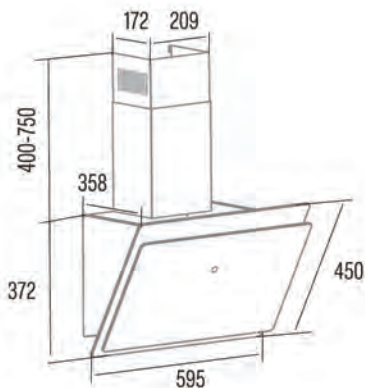
60cm, 80cm or 90cm Widths in Black Finish • 9 Fan Speeds
Hidden Touch Controls with White LED Display • BLDC Motor
Max Airflow 523m³/h (60/80cm) / 527m³/h (90cm)
Noise Max. 58dB (60/80cm) / 62dB (90cm)

SPECIFICATION

- Black glass decor panel
- Black painted housing & chimney
- Delay timer function
- 2x 1.5W round LED (white light)
- Aluminium grease filters
- 150mm air outlet
- A++ energy rating (60/80cm)
- A+ energy rating (90cm)
- Carbon filter: TMFILT4 (not supplied)
- 2-piece height adjustable chimney section
- 103W total power (60/80cm)
- 73W total power (90cm)
- Cable without plug (3A connection)
- W595/795/895 x D378 x H825-1110 mm

BENEFITS

- BLDC motor for higher energy efficiency, quieter operation, longer lifespan, and better performance.
- Touch controls are hidden until you want to use the cooker hood.
- 9 different fan speed settings for ultimate control of your ventilation.





ANGLED GLASS HOODS



HOODS

CATAGM60MB / CATAGM90MB

AUTO-OPEN ANGLED GLASS HOOD

CATA 700



KEY FEATURES

90cm or 60cm Widths in Matt Black Finish

Hidden Touch Controls with Red/White LED Display • BLDC Motor

Max Airflow 459m³/h / Boost 567m³/h

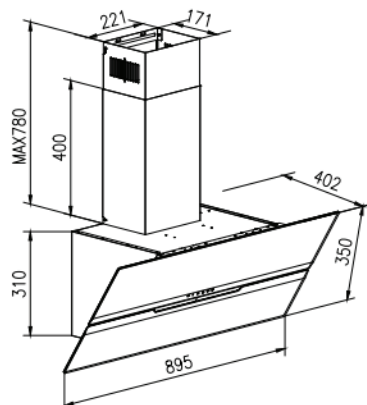
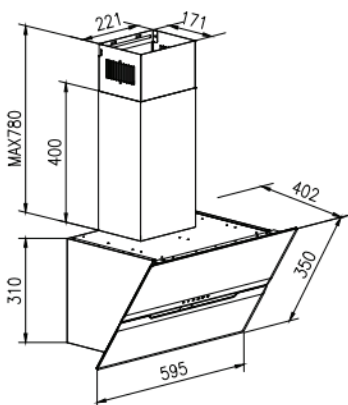
Noise Max. 59dB / Boost 61dB • 3 Fan Speeds + Boost

SPECIFICATION

- Matt Black glass decor panels
- Black painted housing & chimney
- Delay timer function
- 2x 1.5W round LED (white light)
- Black Aluminium grease filters
- 150mm air outlet
- A++ energy rating
- Carbon filter: SCF1 (not supplied)
- 2-piece height adjustable chimney section
- 73W total power
- Cable without plug (3A connection)
- W595/895 x D402 x H710-1090 mm

BENEFITS

- Gorgeous matt black glass décor panels with polished control panel.
- BLDC motor for higher energy efficiency, quieter operation, longer lifespan, and better performance.
- Touch controls are hidden until you want to use the cooker hood.
- Auto-opening top panel, opening adjusts to suit airflow setting.
- Boost function for extra ventilation when really needed.



HOOD ACCESSORIES



KITVENT2F - 150mm Hood Vent Kit

External ventilation kit suitable for all Cata hoods with 150mm outlets.

ISLAND HOODS



ISLA90BK / ISLA90SS

CURVED GLASS ISLAND HOOD

CATA 100



KEY FEATURES

90cm Width • 3 Fan Speeds
Chrome Soft Touch Electronic Button Control
Max Airflow 639m³/h • Noise Max. 68dB

SPECIFICATION

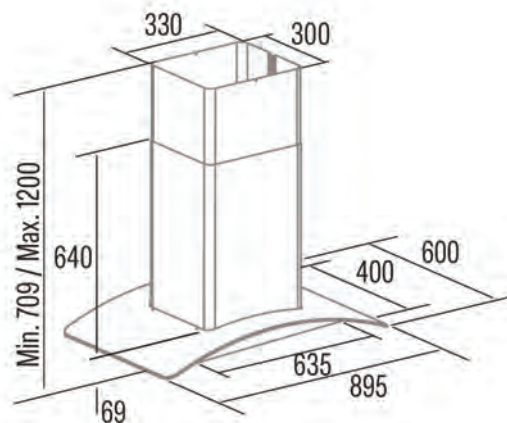
- Stainless steel/black painted housing & chimney
- Delay time function
- 4x 1.5W round LED lamps (white light)
- 2x Aluminium grease filters
- 150mm air outlet
- 2-piece height adjustable chimney section
- Carbon filter: TMFILT4 (not supplied)
- D energy rating
- 236W total power
- Cable without plug (3A connection)
- W895 x D600 x H709-1169 mm

HOOD ACCESSORIES



KITVENT2F - 150mm Hood Vent Kit

External ventilation kit suitable for all Cata hoods with 150mm outlets.



VISOR HOODS



UBSVH60BK UBSVH60SS

VISOR HOOD

CATA 100



KEY FEATURES

60cm Width · Push Button Control · 3 Fan Speeds
Max Airflow 193m³/h · Noise Max. 70dB

SPECIFICATION

- Stainless steel/black painted
- 2W rectangular LED lamp (white light)
- Acrylic grease filter
- 120mm air outlet
- C energy rating
- Carbon filter: SCF3 (not supplied)
- 62W total power
- Cable without plug (3A connection)
- W600 x D480 x H82 mm

HOOD ACCESSORIES



KITVENT1F - 125mm Hood Vent Kit

External ventilation kit suitable for all Cata hoods with 120mm or 125mm outlets.



VHDSW60.1

ADJUSTABLE GLASS VISOR HOOD

CATA 100

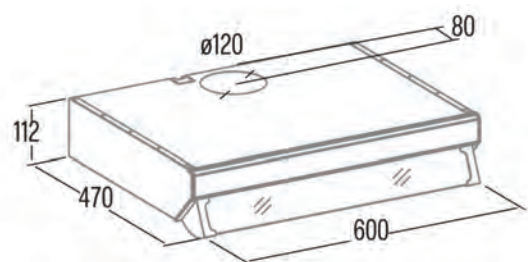
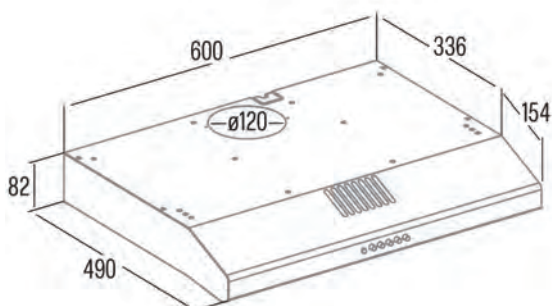


KEY FEATURES

60cm Width · Push Button Control · 3 Fan Speeds
Max Airflow 342m³/h · Noise Max. 69dB

SPECIFICATION

- Stainless steel
- Glass foldable visor
- 2x 5.5W LED lamps (white light)
- Acrylic grease filter
- 120mm air outlet
- D energy rating
- Carbon filter: CARBFILT1 (not supplied)
- 111W total power
- Cable without plug (3A connection)
- W600 x D470 x H112 mm



TELESCOPIC HOODS



UBSTH90SS.1
UBSTH60SS.1
TELESCOPIC HOOD

CATA 100



KEY FEATURES

60cm or 90cm Widths · Rocker Switch Controls
2 Fan Speeds · Max Airflow 301m³/h
Noise Max. 64dB

SPECIFICATION

- Stainless steel
- Telescopic canopy
- 2x 2W LED lamps (white light)
- Aluminium grease filter
- 150mm air outlet
- C energy rating
- Carbon filter: SCF2 (not supplied)
- 69W total power
- Cable without plug (3A connection)
- W600/900 x D320-490 x H194 mm



UBSTH60BK.1
TOUCH CONTROL TELESCOPIC HOOD

CATA 300

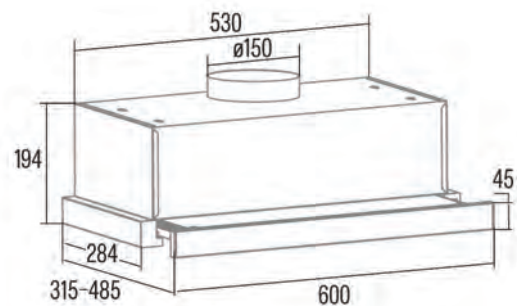
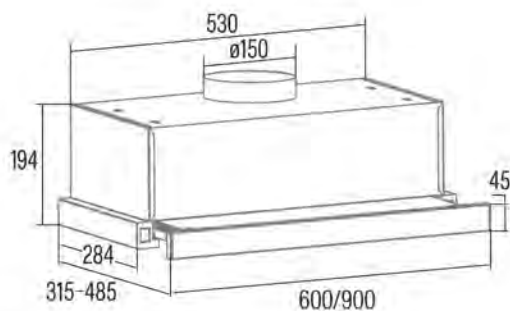


KEY FEATURES

60cm Width · 3 Fan Speeds
Touch Control with White LED Display
Max Airflow 301m³/h · Noise Max. 64dB

SPECIFICATION

- Black painted housing
- Black glass control panel
- Delay timer function
- Telescopic canopy
- 2x 2W LED lamps (white light)
- Aluminium grease filter
- 150mm air outlet
- C energy rating
- Carbon filter: SCF2 (not supplied)
- 69W total power
- Cable without plug (3A connection)
- W600 x D320-490 x H194 mm



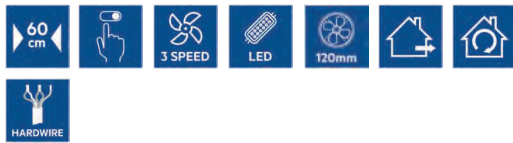
INTEGRATED HOODS



UBINTD60SV.2

INTEGRATED HOOD

CATA 100



KEY FEATURES

60cm Width · Slider Controls · 3 Fan Speeds
Max Airflow 222m³/h · Noise Max. 68dB



HOODS

SPECIFICATION

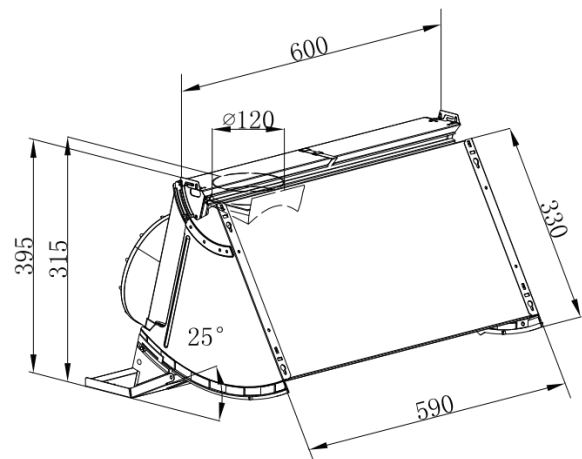
- Silver painted
- Full front flap for easy décor panel fitting
- 2W rectangular LED lamp (white light)
- Acrylic grease filter
- 120mm air outlet
- C energy rating
- Carbon filter: ATFILT1 (not supplied)
- 62W total power
- Cable without plug (3A connection)
- W600 x D282 x H395 mm

HOOD ACCESSORIES



KITVENT1F - 125mm Hood Vent Kit

External ventilation kit suitable for all Cata hoods with 120mm or 125mm outlets.



CANOPY HOODS



UBCAN52SV.2

SILVER CANOPY HOOD

CATA 100

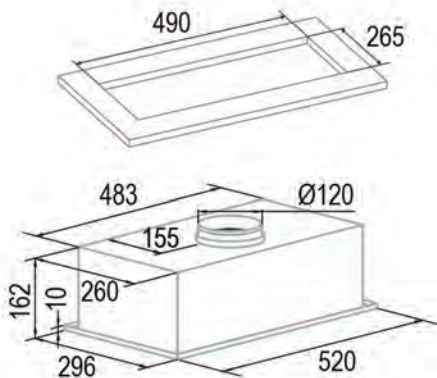


KEY FEATURES

52cm Width · Slider Controls · 3 Fan Speeds
BLDC Motor · Max Airflow 316m³/h
Noise Max. 62dB

SPECIFICATION

- Silver painted
- 2x 2W round LED lamps (white light)
- Aluminium grease filter
- 150mm air outlet
- A energy rating
- Carbon filter: ATFILT8 (not supplied)
- 37W total power
- Cable without plug (3A connection)
- W520 x D296 x H162 mm



UBCAN70SV.2

SILVER CANOPY HOOD

CATA 100

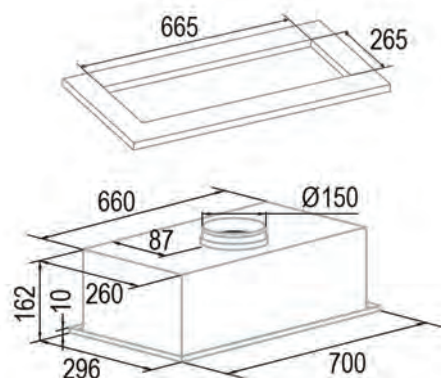


KEY FEATURES

70cm Width · Slider Controls · 3 Fan Speeds
BLDC Motor · Max Airflow 324m³/h
Noise Max. 64dB

SPECIFICATION

- Silver painted
- 2x 2W round LED lamps (white light)
- Aluminium grease filter
- 150mm air outlet
- A energy rating
- Carbon filter: ATFILT8 (not supplied)
- 37W total power
- Cable without plug (3A connection)
- W700 x D296 x H162 mm



CANOPY HOODS



UBSCAN52BK

BLACK CANOPY HOOD

CATA 100



UBSCAN70BK

BLACK CANOPY HOOD

CATA 100



KEY FEATURES

52cm Width · Push Button Control · 3 Fan Speeds
BLDC Motor · Max Airflow 517m³/h
Noise Max. 60dB

KEY FEATURES

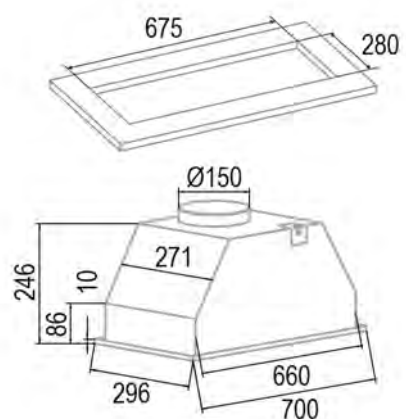
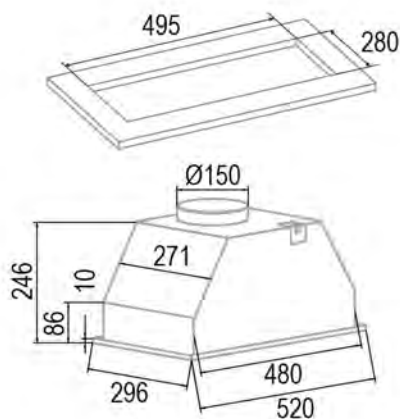
70cm Width · Push Button Control · 3 Fan Speeds
BLDC Motor · Max Airflow 517m³/h
Noise Max. 60dB

SPECIFICATION

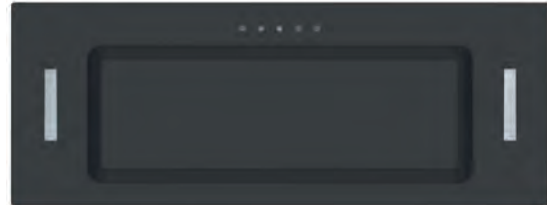
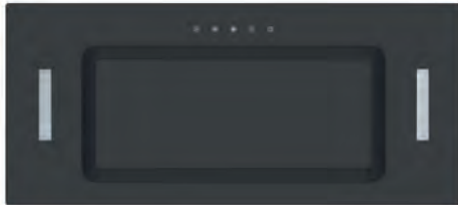
- Black painted
- 2x 1.5W round LED lamps (white light)
- Black aluminium grease filter
- 150mm air outlet
- C energy rating
- Carbon filter: SCF1 (not supplied)
- 103W total power
- Cable without plug (3A connection)
- W520 x D296 x H246 mm

SPECIFICATION

- Black painted
- 2x 1.5W round LED lamps (white light)
- Black aluminium grease filter
- 150mm air outlet
- C energy rating
- Carbon filter: SCF1 (not supplied)
- 103W total power
- Cable without plug (3A connection)
- W700 x D296 x H246 mm



GLASS CANOPY HOODS



UBICON52BK.1 / UBICON75BK.1

TOUCH CONTROL CANOPY HOOD

CATA 500



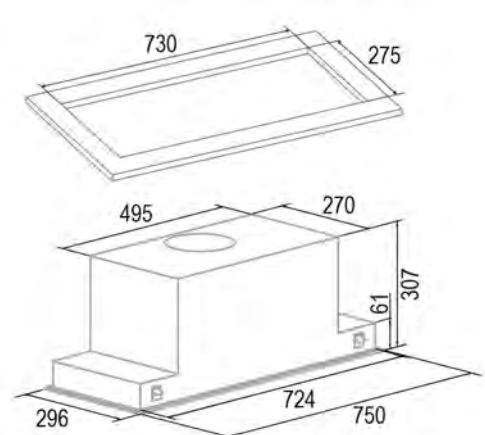
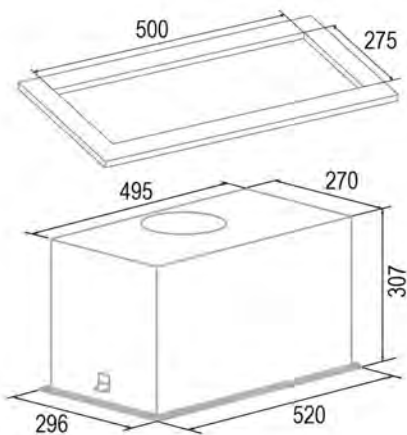
KEY FEATURES

52cm or 75cm Widths

Touch Control with Blue LEDs • 3 Fan Speeds
Max Airflow upto 571m³/h • Noise Max. 70dB

SPECIFICATION

- Black glass
- Delay timer function
- 2x 15W rectangular LED lamps (white light)
- Aluminium grease filter
- 150mm air outlet
- Carbon filter: ATFILT1 (not supplied)
- 78W total power
- Cable without plug (3A connection)
- 75cm model
 - B energy rating
 - W750 x D296 x H307 mm
 - Max airflow 571m³/h
- 52cm model
 - C energy rating
 - W520 x D296 x H307 mm
 - Max airflow 524m³/h





GLASS CANOPY HOODS



CATICON52BK / CATICON75BK

GESTURE CONTROL CANOPY HOOD

CATA 700



HOODS

KEY FEATURES

52cm or 75cm Widths • Touch Control with Blue LEDs

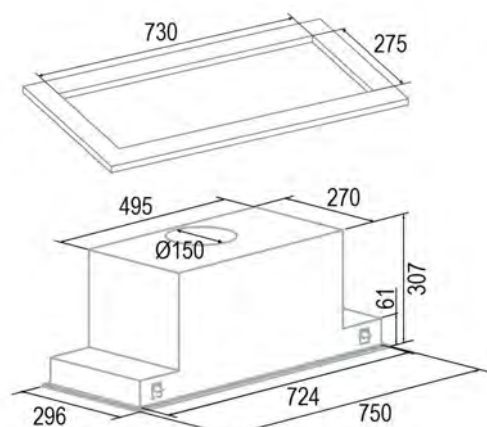
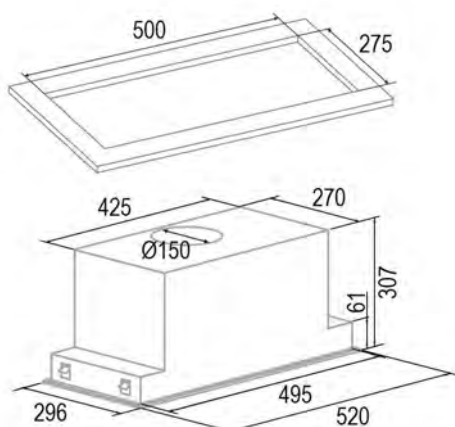
Gesture Sensor • 3 Fan Speeds • BLDC Motor
Max Airflow upto 572m³/h • Noise Max. 66dB

SPECIFICATION

- Black glass
- Delay timer function
- 2x 1.5W rectangular LED lamps (white light)
- Aluminium grease filter
- 150mm air outlet
- Carbon filter: ATFILT1 (not supplied)
- 78W total power
- Cable without plug (3A connection)
- A+ energy rating
- 75cm model
 - W750 x D296 x H307 mm
 - Max airflow 572m³/h
- 52cm model
 - W520 x D296 x H307 mm
 - Max airflow 460m³/h

BENEFITS

Discover our black glass canopy hoods featuring Gesture Control. A built-in sensor adjusts fan speeds and lighting with a wave - no touching required. Say goodbye to fumbling for controls, especially with messy hands, ensuring hygiene and convenience.

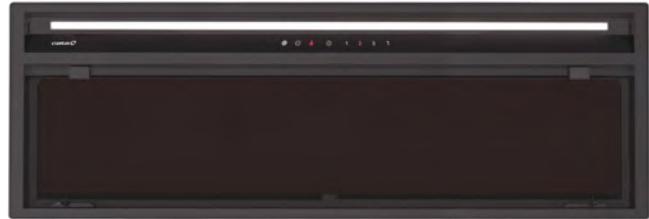


GLASS CANOPY HOODS





GLASS CANOPY HOODS



CATCAN53BK / CATCAN83BK

GESTURE CONTROL CANOPY HOOD

CATA 700



HOODS

KEY FEATURES

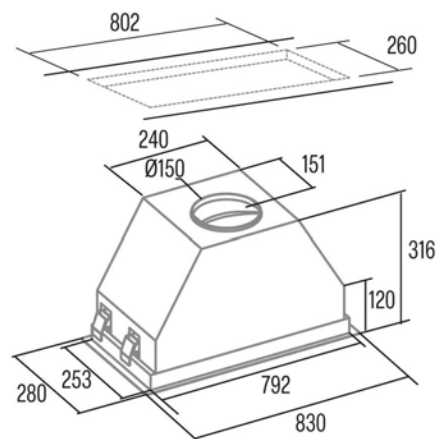
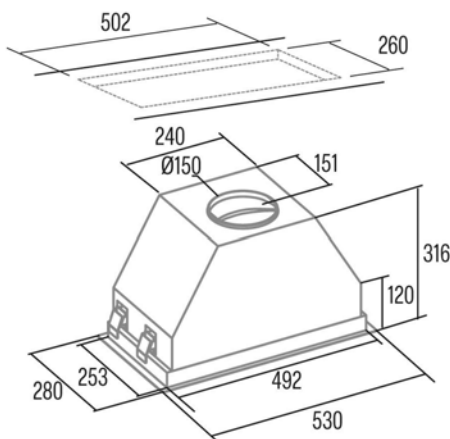
- 53cm or 83cm Widths • 3 Fan Speeds + Boost
- Touch Control with White/Red LED Display
- Filter Saturation Indicator • BLDC Motor
- Max Airflow 550m³/h / Boost 750m³/h
- Noise Max. 68dB / Boost 70dB

BENEFITS

The built in Filter Saturation Indicator displays a warning on the control panel of the need to clean or replace the aluminium filter. This ensures the cooker hood continues to operate at maximum performance and efficiency.

SPECIFICATION

- Black glass
- Black painted frame
- Delay timer function
- Adjustable lighting intensity
- 1x 5W LED strip (white light)
- Black aluminium grease filters
- 150mm air outlet
- Carbon filter: CARBFILT13 (not supplied)
- 140W total power
- Cable without plug (3A connection)
- A+ energy rating
- W530/830 x D280 x H316 mm



DOWNDRAFT HOODS



UBDDGS60ABK1 / UBDDGS90ABK1

BLACK GLASS DOWNDRAFT HOOD

CATA 500

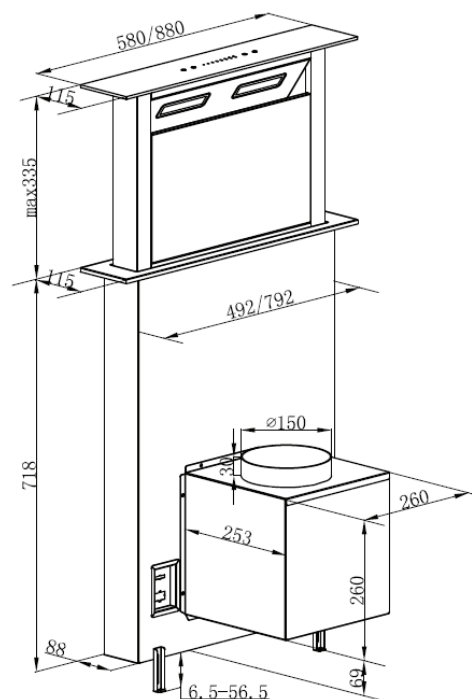


KEY FEATURES

- 60cm or 90cm Widths • 4 Fan Speeds
- Touch Controls with Blue LED Display
- Max Airflow 579m³/h (60cm) / 605m³/h (90cm)
- Noise Max. 72dB (60cm) / 73dB (90cm)

SPECIFICATION

- Stainless steel housing with black glass decor panel
- Motorised lift
- Suitable for electric & gas hobs
- Delay timer function
- 2x 1W rectangular LED lamps (white light)
- Aluminium grease filter
- 150mm air outlet
- Carbon filter (not supplied): ATFILT3 (60cm) / ATFILT4 (90cm)
- 232W total power
- B energy rating
- Cable without plug (3A connection)
- W580/880 x D500 x H725-1110mm



CEILING HOODS



UBSDCH902BK / UBSDCH901W

CEILING COOKER HOODS

CATA 500



KEY FEATURES

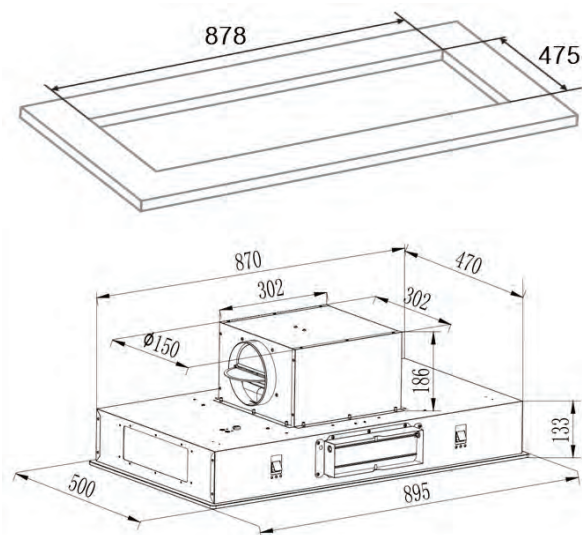
90cm Width · 3 Fan Speeds

Touch Controls with White LED Display

Max Airflow 619m³/h · Noise Max. 68dB

SPECIFICATION

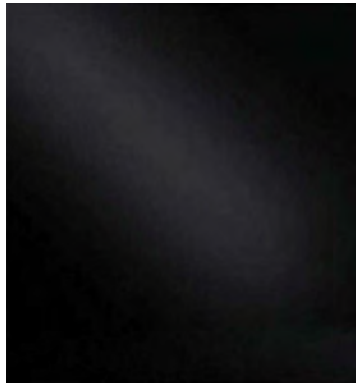
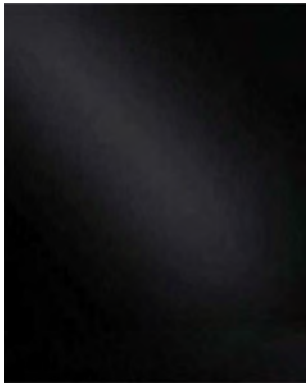
- Black/white glass
- Stainless steel housing
- Remote control included
- Delay timer function
- 2x 5W strip LED lamps (white light)
- 2x Aluminium grease filters
- 150mm air outlet
- A energy rating
- Carbon filter: SCF1 (not supplied)
- 240W total power
- Cable without plug (3A connection)
- W895 x D500 x H319 mm



COOKING ACCESSORIES



GLASS & STAINLESS STEEL SPLASHBACKS



BSB675 / BSB775 / BSB975

BLACK GLASS SPLASHBACK

CATA 100



SPECIFICATION

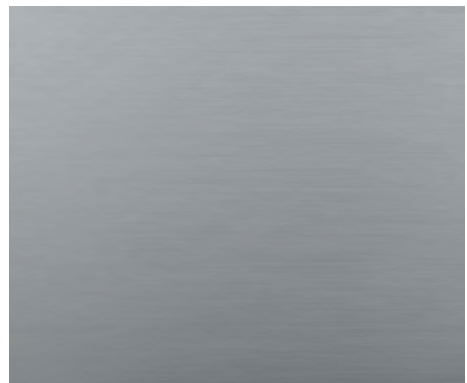
- Black glass
- Easy clean surface
- 5mm toughened safety glass
- Fix with self adhesive tape (already fitted)
- W600 x H750 mm

SPECIFICATION

- Black glass
- Easy clean surface
- 5mm toughened safety glass
- Fix with self adhesive tape (already fitted)
- W700 x H750 mm

SPECIFICATION

- Black glass
- Easy clean surface
- 5mm toughened safety glass
- Fix with self adhesive tape (already fitted)
- W900 x H750 mm



SB60 / SB70 / SB90

STAINLESS STEEL SPLASHBACK

CATA 100



SPECIFICATION

- Brushed stainless steel
- Easy clean surface
- 10mm folded edges
- Self adhesive tape (temporary fixing)
- Secure with silicone adhesive (not supplied)
- W600 x H750 mm

SPECIFICATION

- Brushed stainless steel
- Easy clean surface
- 10mm folded edges
- Self adhesive tape (temporary fixing)
- Secure with silicone adhesive (not supplied)
- W700 x H750 mm

SPECIFICATION

- Brushed stainless steel
- Easy clean surface
- 10mm folded edges
- Self adhesive tape (temporary fixing)
- Secure with silicone adhesive (not supplied)
- W900 x H750 mm

HIGH QUALITY COOKWARE



GRILL2

GRIDDLE FOR INDUCTION HOBS

CATA 300

Griddle with ease using the GRILL2, designed for Cata induction hobs with bridgeable zones. Made from highest quality cast iron with a non-stick surface, it ensures excellent heat distribution and retention, preserving moisture and flavour. Perfect for vegetables and meats, its non-stick surface promotes healthier cooking and pop it in the dishwasher for easy cleanup.

L432 x W229 x H40 mm



GRILL3

REVERSIBLE GRIDDLE FOR GAS HOBS

CATA 300

Achieve a seared, restaurant-style finish with the GRILL3 griddle. Crafted from high-quality cast iron with a non-stick surface, it's user-friendly and dishwasher-safe. Place it on your gas hob's pan support to cook multiple items simultaneously. This dry-fry griddle requires no oil or fat and is reversible, featuring a flat side and a ridged side that drains fat for healthier cooking.

L390 x W200 x H15 mm



GRILL4

CAST IRON SQUARE SKILLET

CATA 300

Discover our GRILL4 premium cast iron skillet, a must-have for home cooks. Crafted for durability from high-quality cast iron, it offers excellent heat retention and even cooking. Its non-stick surface with high ridges drains fat, and dual spouts enable drip-free pouring. Easy to cook with and clean, it features sturdy handles for a secure grip. The square shape excels at searing, sautéing, and frying, from bacon to steaks.

L323 x W273 x H53 mm



WOKRING1

CAST IRON WOK SUPPORT

CATA 300

The WOKRING1 wok support offers additional stability when using a round bottom wok. Suitable for most Cata gas hobs. This is the perfect accessory for lovers of oriental cuisine.



WOKSSI

PREMIUM WOK PAN

CATA 300

Crafted from durable, scratch-resistant stainless steel, the WOKSSI wok pan is built to last and easy to clean, resisting stains and odours. Its flat base ensures even heating for perfectly cooked meals, while its large capacity is ideal for family dinners or entertaining. Versatile for ceramic, induction, or gas hobs, this non-reactive pan supports healthy cooking without altering flavours. With a sleek, modern design and sturdy, comfortable handle, it's a stylish and practical addition to any kitchen.



PANSET1SS

PREMIUM 3 PIECE PAN SET

CATA 300

Elevate your cooking with the PANSET1SS 3-piece pan set, designed for home chefs who crave excellence. Made from commercial-grade stainless steel with a heavy-gauge, impact-bonded aluminum base, these pans ensure lasting durability and even heat distribution for flawless results. Ergonomic, riveted handles with an anti-slip satin finish offer a secure, comfortable grip. Versatile across all cooking surfaces—electric, gas, induction, and ceramic - this set is perfect for everything from stir-fries to sauces.

HOOD VENT KITS



KITVENT1F
125MM HOOD VENT KIT

CATA 100

- Ø125mm external vent
- Grey louvered gravity wall vent
- 2.5m flexible aluminium ducting
- Joint collar & adapter ring
- Universal hose clips
- Wall fixings



KITVENT2F
150MM HOOD VENT KIT

CATA 100

- Ø150mm external vent
- Grey louvered gravity wall vent
- 3m flexible aluminium ducting
- Universal hose clips
- Wall fixings

ACCESSORIES

CARBON FILTERS



ATFILT1
CARBON FILTER 2PK



ATFILT3
CARBON FILTER MAT



ATFILT4
CARBON FILTER MAT



ATFILT8
CARBON FILTER 2PK



CARBFILT1
CARBON FILTER



CARBFILT4
CARBON FILTER 2PK



CARBFILT13
CARBON FILTER 2PK



SCF1
CARBON FILTER 2PK



SCF2
CARBON FILTER 2PK



SCF3
CARBON FILTER MAT



TMFILT1
CARBON FILTER 2PK



TMFILT4
CARBON FILTER 2PK



WINE COOLERS



WINE COOLERS

WINE COOLER RANGE OVERVIEW

FREESTANDING / UNDERCOUNTER WINE COOLERS

CATA 100

CATA 300



UBSSWC15F p111



UBBKWC15F p111



UBSSWC30F p112



UBBKWC30F p112

CATA 300



UBSSWC60DDF p113



UBBKWC60DDF p113



UBSSWC60F p114



UBBKWC60F p114

BUILD-IN COLUMN WINE COOLERS

CATA 500



UBICBKWC55 p116



UBICBKWC110 p116



WINE COOLERS

WINE COOLER - FEATURES & BENEFITS

Introduction

If you're passionate about the taste and quality of your wine, then investing in a cooler is an absolute must. No matter how well stocked or neat your fridge may be - there are still temperature fluctuations that can ruin even some of life's finest bottles of vino. So take control over preserving aging wines with one of Cata's specialised and stylish wine coolers, designed to keep them at optimal levels for maximum enjoyment!

* Note - not all features are available on all Cata models, please refer to individual model specs for details.



Flexible Location

All Cata freestanding wine coolers are designed to give you total flexibility on where you position your cooler. Either fitted under the kitchen worktop with adjacent cabinetry, or if you prefer, used freestanding anywhere in your living space. Just select a location that is well-ventilated, away from direct sunlight, and free from excessive heat sources or extreme temperature fluctuations.



Bottle Storage

Our beech wood shelves are excellent at absorbing vibrations from the compressor and other sources, which can disturb the sediment in wine bottles and potentially affect their taste. The wooden shelves can accommodate 750ml Bordeaux, Burgundy and Champagne bottles. Larger bottles can also be stored, but take care not to overcrowd the shelves, and remember to maintain proper spacing between bottles for air circulation and easy access.



Touch Controls

Our wine coolers feature intuitive LED touch controls with a stylish, compact design, offering bright, easy-to-read displays for precise temperature control. LED technology boosts energy efficiency with lower power use than traditional displays, and the option to switch between °C and °F adds user convenience.



On Door Touch Controls

The Cata 45cm high built-in column wine cooler features on-door touch controls with a sleek blue-white LCD display for easy temperature management. The intuitive touch interface offers a modern look and precise adjustments necessary for wine storage, without need to open the door and disturb the wine storage environment. The keylock function prevents accidental changes to your settings.

UV Protection

Cata wine coolers all feature toughened UV-protected glass as standard, to stop wine aging prematurely. UV-protected glass ensures that your wines are shielded from harmful UV rays, preserving their quality, colour, flavour and aroma. A simple yet crucial feature to ensure every bottle stays as delicious as intended.



Charcoal Filter

An active charcoal filter eliminates odours and impurities in the air, preventing contamination of your wine collection. Our 30cm and 60cm freestanding models feature a charcoal filter, to best protect your precious wine.



Even Temperature

The fan in the rear of our wine coolers circulates cool air for even temperature distribution. The fan gently moves cool air around, preventing hot spots or cold patches that could harm your bottles - especially important for consistent aging. It also helps maintain stable humidity, reducing the risk of cork drying out.



Reversible door

Our freestanding wine cooler range feature reversible doors that offer flexibility for your kitchen setup. By default, the doors hinge on the right, but you can switch them to open from the left. This lets you place the cooler wherever it fits best, allowing you easy access to enjoy your wine collection.



Dual Zones

Cata wine coolers with dual cooling zones let you store different wines at their perfect temperatures in one unit. Featuring two separate sections each with its own temperature control - one zone can chill whites or rosés at a crisp 4-13°C, while the other keeps reds at a cozy 13-18°C. It's smart, space-saving convenience for wine lovers.



FREESTANDING / UNDERCOUNTER WINE COOLERS



UBBKWC15F / UBSSWC15F

SLIMLINE WINE COOLER

CATA 100

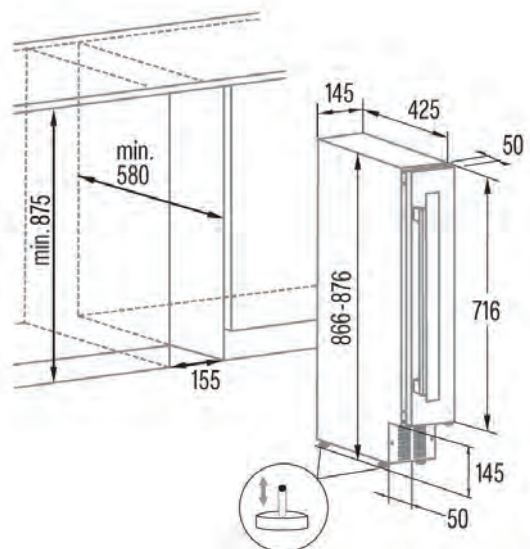


KEY FEATURES

- 15cm Width · Single Cooling Zone · Wooden Shelves
- Full Touch Control with White LED Display
- Side Opening Reversible Door · 7 Bottle Capacity (18 Litres)

SPECIFICATION

- Bevelled edge stainless steel framed door and stainless handle / Frameless black glass door and black handle
- Black painted casing & vent plate
- Temperature range 5°C - 18°C
- White LED top cabinet lighting
- UV Protected glass
- 80W total power
- SN/N/ST climate class
- Noise max. 44dB
- F energy rating
- Undercounter or freestanding
- Cable with UK plug (13A connection)
- W145 x H866/876 x D475 mm



FREESTANDING / UNDERCOUNTER WINE COOLERS



UBBKWC30F / UBSSWC30F

SINGLE ZONE WINE COOLER

CATA-300

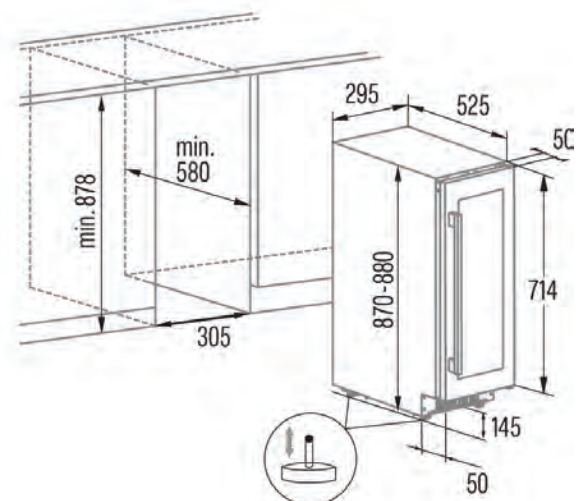


KEY FEATURES

30cm Width · Single Cooling Zone · Wooden Shelves
Full Touch Control with White LED Display
Side Opening Reversible Door · 18 Bottle Capacity (58 Litres)

SPECIFICATION

- Bevelled edge stainless steel framed door and stainless handle / Frameless black glass door and black handle
- Black painted casing & vent plate
- Temperature range 5°C - 18°C
- White LED top cabinet lighting
- UV Protected glass
- Active charcoal filter
- 75W total power
- SN/N climate class
- Noise max. 40dB
- F energy rating
- Undercounter or freestanding
- Cable with UK plug/ JST plug (13A connection)
- W295 x H870/880 x D575mm



FREESTANDING / UNDERCOUNTER WINE COOLERS

UPDATED

F A ↑ G



UPDATED

F A ↑ G



UBBKWC60DDF / UBSSWC60DDF

DUAL ZONE DOUBLE DOOR WINE COOLER

CATA-300

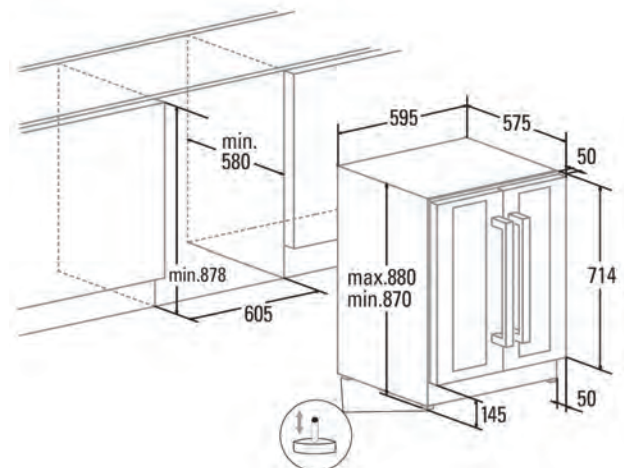


KEY FEATURES

60cm Width • Dual Cooling Zones • Wooden Shelves
Separate Dual Touch Controls with White LED Displays
Side Opening Double Doors • 36 Bottle Capacity (120 Litres)

SPECIFICATION

- Bevelled edge stainless steel framed door and stainless handle / Frameless black glass door and black handle
- Black painted casing & vent plate
- Temperature range 5°C - 22°C
- White LED top cabinet lighting
- UV Protected glass
- Active charcoal filter
- 110W total power
- SN/N/ST climate class
- Noise max. 41dB
- F energy rating
- Undercounter or freestanding
- Cable with UK plug (13A connection)
- W595 x H870/880 x D575mm



FREESTANDING / UNDERCOUNTER WINE COOLERS

UPDATED

F A
↑ G



UPDATED

F A
↑ G



UBBKWC60F / UBSSWC60F

DUAL ZONE WINE COOLER

CATA 300

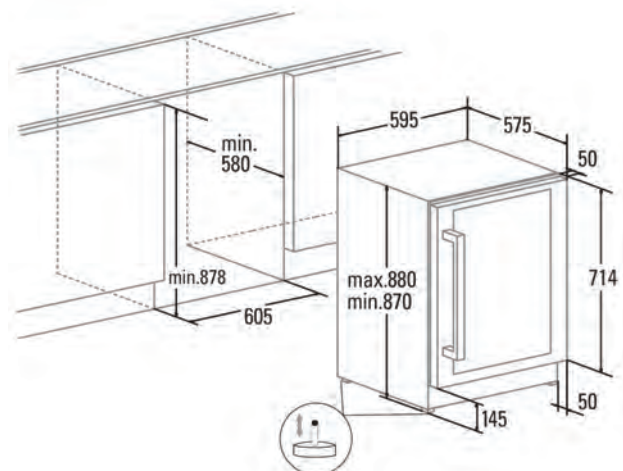


KEY FEATURES

- 60cm Width • Dual Cooling Zones • Wooden Shelves
- Touch Control with White LED Display
- Side Opening Reversible Door • 51 Bottle Capacity (138 Litres)

SPECIFICATION

- Bevelled edge stainless steel framed door and stainless handle / Frameless black glass door and black handle
- Black painted casing & vent plate
- Temperature range: 5°C - 13°C upper / 12°C - 18°C lower
- White LED top cabinet lighting
- UV Protected glass
- Active charcoal filter
- 100W total power
- SN/N/ST climate class
- Noise max. 41dB
- G energy rating
- Undercounter or freestanding
- Cable with UK plug (13A connection)
- W595 x H870/880 x D575mm



WINE COOLERS



BUILD-IN COLUMN WINE COOLERS



UBICBKWC55

45CM SINGLE ZONE WINE COOLER

CATA 500



UBICBKWC110

90CM SINGLE ZONE WINE COOLER

CATA 500

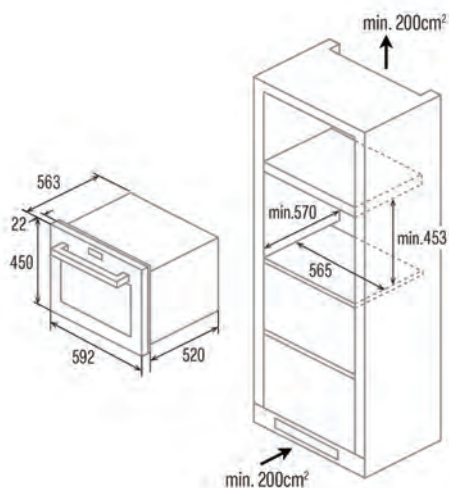


KEY FEATURES

45cm High • Single Cooling Zone • Wooden Shelves
On Door Touch Controls with Blue White LCD Display
Drop Down Opening Door • 24 Bottle Capacity (53 Litres)

SPECIFICATION

- Frameless black glass door and black handle
- White LED top cabinet lighting
- Temperature range 5°C - 19°C
- White LED top cabinet lighting
- UV Protected glass
- 75W total power
- SN/N/ST climate class
- Noise max. 41dB
- G energy rating
- Build-in column or undercounter
- Cable with UK plug (13A connection)
- W592 x H450 x D563mm

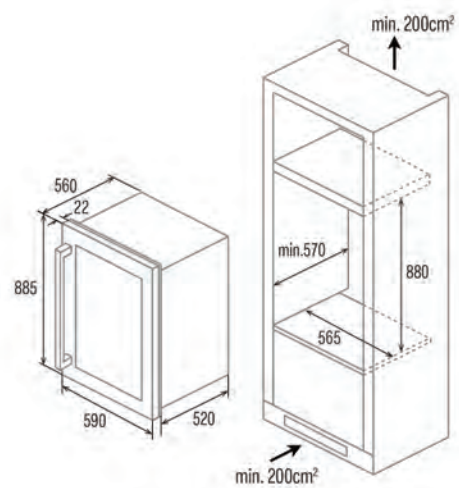


KEY FEATURES

90cm High • Single Cooling Zone • Wooden Shelves
Touch Control with Blue White LCD Display
Side Opening Reversible Door • 47 Bottle Capacity (116 Litres)

SPECIFICATION

- Frameless black glass door and black handle
- White LED top cabinet lighting
- Temperature range 5°C - 19°C
- White LED top cabinet lighting UV Protected glass
- 80W total power
- SN/N/ST climate class
- Noise max. 41dB
- G energy rating
- Build-in column or undercounter
- Cable with UK plug (13A connection)
- W590 x H885 x D560mm





REFRIGERATION



REFRIGERATION

REFRIGERATION RANGE OVERVIEW

INTEGRATED UNDER-COUNTER

CATA 100



FBUF60E p123



FZBU60E p124



FBUIB60E p124

INTEGRATED COMBI

CATA 100

CATA 300



FFBS5050E p125



FFBS7030E p125



FFBIFF5050E p126

CATA 300

CATA 500



FFBIFF7030E p126



FFBITNF73E p128

INTEGRATED TALL

CATA 300



FFTL60E p129



FFTFZ60E.1 p129

CATA 700



CATADTLF60E p130



CATFFTZ60E p130

REFRIGERATION - FEATURES & BENEFITS

Introduction

Our integrated cooling appliances are designed to seamlessly blend into your kitchen cabinetry, offering a stylish and cohesive look that deliver seamless integration to complement your interior design. With features such as adjustable shelves, large freezer drawers, humidity control VitaMod crispers, digital dual temperature controls, and total no frost technology, we make storing, preserving and accessing your food and beverages effortless.

* Note - not all features are available on all Cata models, please refer to individual model specs for details.



Reversible Doors

All of Cata's integrated refrigerators allow the door hinges to be switched to open from either the left or right side, offering flexibility in placement and accessibility. This helps accommodate different kitchen layouts, ensuring easy access in tight spaces or corners. It also suits user preferences (e.g., left- or right-handed individuals) and can prevent obstruction of nearby appliances or walkways, improving convenience and functionality.



Sliding Door Mechanism

A fridge sliding door mechanism is a clever setup that lets an integrated fridge door glide open smoothly while staying attached to your kitchen cabinetry. When you pull the cabinet handle, the door slides along a rail system fixed to the cabinet door.



Fixed Hinge Mechanism

Cata's fixed hinges are perfect for door-on-door installation of integrated refrigerators, where a décor kitchen cabinet panel is mounted to the front of the appliance door, so opening as one unit. Our fixed hinges ensure a strong connection, with enhanced durability, better energy efficiency, quieter operation, and a seamless, flush look perfect for modern integrated kitchens.



VitaMod Crisper

Thanks to a special light source close to the natural spectrum of sunlight, VitaMod ensures that fruits and vegetables stored in the refrigerator continue their natural ripening process, thus preserving their nutritional values at higher levels.



Humidity Controlled Crisper

The fridge's salad crisper with humidity control extends produce freshness by optimizing moisture. High humidity (80-95%) keeps greens like lettuce crisp, while low humidity (50-60%) prevents rot in fruits like apples. It preserves texture, nutrients, and reduces waste. Adjustable vents and our special filter customise storage for longer-lasting produce.

Total No Frost

Our new Total No Frost refrigerators keep air flowing evenly in both the fridge and freezer, stopping moisture build-up - no more soggy salads or iced up freezer walls. With dual independent air systems, featuring separate fans and evaporators, there's no air transfer between compartments. This ensures perfect freshness, ideal humidity, no odour mixing, and pure food flavours in each section.



Frost Free

Models with our Frost Free technology prevent ice build-up, reducing the need for manual defrosting and ensuring a consistent temperature. Our frost free models have separate air circulations - fan circulated in the freezer and natural circulation in the fridge - and a heater that will melt the ice, at specific intervals, maintaining efficiency meaning no need for manual defrosting.



Low Frost

Thanks to the wrap around evaporator, our Low Frost cooling technology offers more efficient cooling, less manual defrosting, and more flexible storage space.



Freezer Shield

Conventional refrigerator appliances are able to work at a minimum ambient temperature of 10°C. However, with our Freezer Shield technology, Cata appliances can work even if the ambient temperature is as low as -15°C, which makes it possible to place the appliances in closed locations such as the garage.



Turbo Fan

Several of our refrigerators have a turbo fan, which is a small, high-speed fan designed to boost air circulation and evenly distribute cold air across all shelves and corners, eliminating any warm spots. This helps food stay fresher longer, especially in larger or packed fridges. The turbo fan also speeds up cooling after the door's been opened, cuts down on frost buildup, and runs quietly, making your fridge more efficient and reliable.



Metal Cooling

Our newest cooling models feature a chic, high-performing metal cooling wall, crafted from stainless steel for better efficiency. The metal cooling wall conducts cold air faster and more evenly than plastic-lined fridges, maintaining consistent temps across shelves, cutting warm spots to keep food fresher longer. Durable, easy to wipe down, and with a modern, premium vibe, it's a standout feature.



INTEGRATED UNDER-COUNTER



FBUF60E STATIC FRIDGE

CATA 100

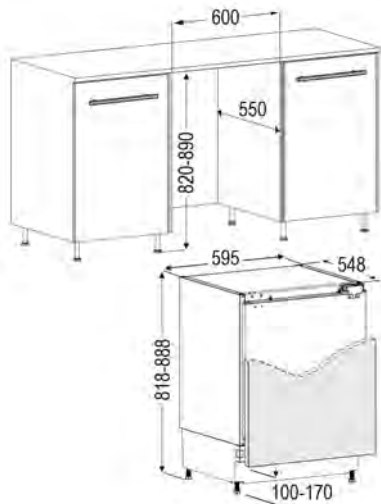


KEY FEATURES

- 134 Litre Capacity (net) · Static Refrigeration System
- Internal Mechanical Control with Rotary Dial
- Salad Crisper with Glass Cover · Fixed Hinges

SPECIFICATION

- White cabinet and white door
- Side opening door (reversible)
- White LED cabinet lighting
- 2 adjustable glass shelves
- 1 bottle shelf and 1 door shelf
- E energy rating
- SN climate class
- Noise max. 39dB
- 84W total power
- Cable with UK plug (13A connection)
- W595 x H818/888 x D548mm



INTEGRATED UNDER-COUNTER



FZBU60E
STATIC FREEZER

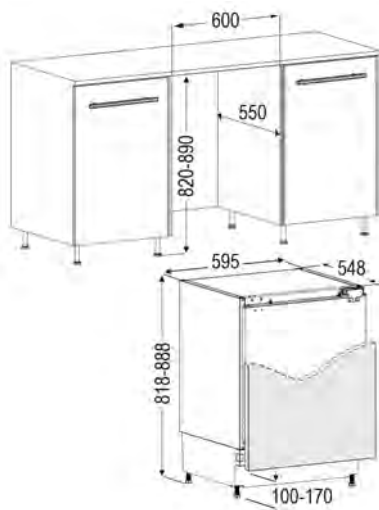


KEY FEATURES

96 Litre Capacity (net) · Static Refrigeration System
Internal Mechanical Control with Rotary Dial
Freezer Shield · Fixed Hinges

SPECIFICATION

- White cabinet and white door
- Side opening door (reversible)
- White LED cabinet lighting
- 3 freezer drawers
- E energy rating
- SN climate class
- Noise max. 39dB
- 113W total power
- Cable with UK plug (13A connection)
- W595 x H818/888 x D548mm



FBUIB60E
STATIC FRIDGE WITH ICEBOX

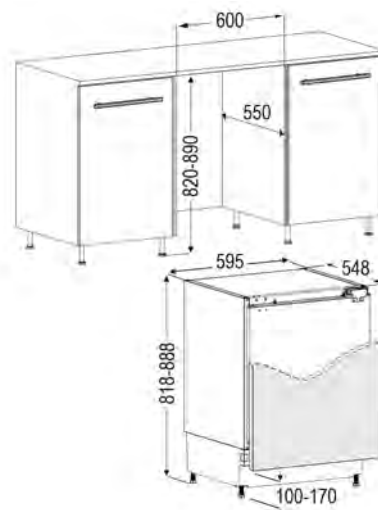


KEY FEATURES

115 Litre Total Capacity (net) · 98L Fridge / 17L Icebox
Internal Mechanical Control with Rotary Dial
Static Refrigeration System · Fixed Hinges
Salad Crisper with Glass Cover

SPECIFICATION

- White cabinet and white door
- Side opening door (reversible)
- White LED cabinet lighting
- 4* Icebox with flap door
- 1 adjustable glass shelf
- 1 bottle shelf and 1 door shelf
- E energy rating
- SN climate class
- Noise max. 39dB
- 147W total power
- Cable with UK plug (13A connection)
- W595 x H818/888 x D548mm



INTEGRATED COMBI



FFBIS5050E

STATIC FRIDGE FREEZER

CATA 100

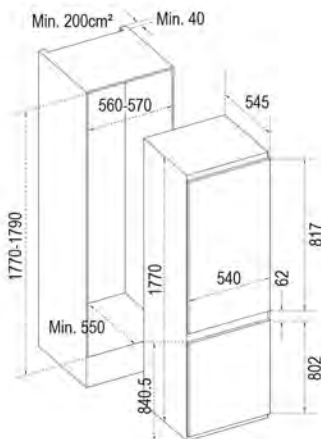


KEY FEATURES

244 Litre Capacity (net) · 50/50 Split - 148L Fridge / 96L Freezer
Internal Mechanical Control with Rotary Dial
Low Frost (Static) Refrigeration System · Fast Freeze Function

SPECIFICATION

- White cabinet and white door
- Side opening door (reversible)
- White LED cabinet lighting
- Salad crisper with humidity control and glass cover
- 3 adjustable glass shelves
- 1 bottle and 2 door shelves
- 3 freezer drawers and 1 slide-out tray
- Sliding door hinges
- E energy rating
- N/ST climate class
- Noise max. 38dB
- 152W total power
- Cable with UK plug (13A connection)
- W540 x H1770 x D545mm



FFBIS7030E

STATIC FRIDGE FREEZER

CATA 100

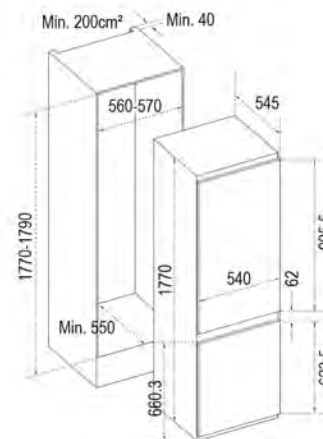


KEY FEATURES

251 Litre Capacity (net) · 70/30 Split - 181L Fridge / 70L Freezer
Internal Mechanical Control with Rotary Dial
Low Frost (Static) Refrigeration System · Fast Freeze Function

SPECIFICATION

- White cabinet and white door
- Side opening door (reversible)
- White LED cabinet lighting
- Salad crisper with humidity control and glass cover
- 3 adjustable glass shelves
- 1 bottle and 3 door shelves
- 2 freezer drawers and 1 slide-out tray
- Sliding door hinges
- E energy rating
- N/ST climate class
- Noise max. 38dB
- 134W total power
- Cable with UK plug (13A connection)
- W540 x H1770 x D545mm



INTEGRATED COMBI



FFBIFF5050E

FROST FREE FRIDGE FREEZER

CATA 300

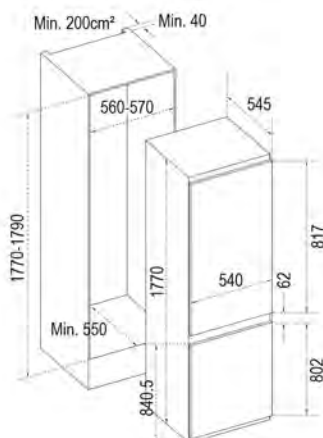


KEY FEATURES

230 Litre Capacity (net) • 50/50 Split - 145L Fridge/85L Freezer
Internal Mechanical Control with Rotary Dial
Frost Free Refrigeration System • Turbo Fan • Freezer Shield

SPECIFICATION

- White cabinet and white door
- Side opening door (reversible)
- White LED cabinet lighting
- Salad crisper with humidity control and glass cover
- 3 adjustable glass shelves
- 1 bottle and 2 door shelves
- 3 freezer drawers and 1 slide-out tray
- Sliding door hinges
- E energy rating
- N/ST/T climate class
- Noise max. 41dB
- 163W total power
- Cable with UK plug (13A connection)
- W540 x H1770 x D545mm



FFBIFF7030E

FROST FREE FRIDGE FREEZER

CATA 300

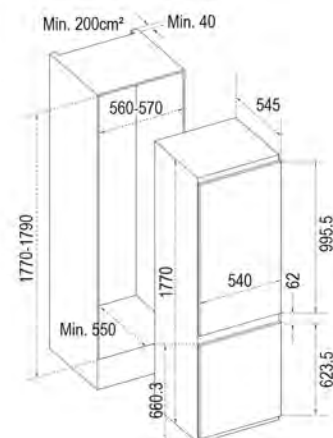


KEY FEATURES

243 Litre Capacity (net) • 70/30 Split - 180L Fridge/63L Freezer
Internal Mechanical Control with Rotary Dial
Frost Free Refrigeration System • Turbo Fan • Freezer Shield

SPECIFICATION

- White cabinet and white door
- Side opening door (reversible)
- White LED cabinet lighting
- Salad crisper with humidity control and glass cover
- 3 adjustable glass shelves
- 1 bottle and 3 door shelves
- 2 freezer drawers and 1 slide-out tray
- Sliding door hinges
- E energy rating
- N/ST/T climate class
- Noise max. 41dB
- 187W total power
- Cable with UK plug (13A connection)
- W540 x H1770 x D545mm



INTEGRATED REFRIGERATION



INTEGRATED COMBI



FFBITNF73E

TOTAL NO FROST FRIDGE FREEZER

CATA 500



BENEFITS

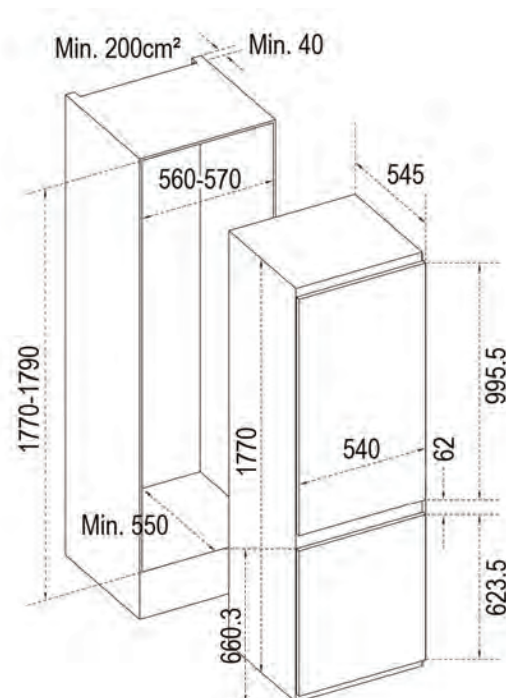
- White LED side strip lights for complete visibility of your the fridge's contents.
- Dual control provides separate temperature control for the fridge and freezer compartments.
- LED crisper ensures the longevity of your salad by simulating natural light spectrum.
- Metal cooling wall retains cool temperatures when the fridge door opens, enabling a quick return to optimal cooling.

KEY FEATURES

233 Litre Capacity (net) · 70/30 Split - 170L Fridge / 63L Freezer
Total No Frost (MultiCool) Refrigeration System · Dual Turbo Fans
Internal Electronic Dual Control with White LED Display
Metal Cooling Back Wall · VitaMod LED Crisper · Silver Trimming

SPECIFICATION

- White cabinet and white door
- Side opening door (reversible)
- White LED cabinet lighting
- Fast freeze function
- Freezer shield
- VitaMod LED crisper with humidity control & glass cover
- 3 adjustable glass shelves
- 1 bottle shelf and 3 door shelves
- 2 freezer drawers and 1 slide-out tray
- Sliding door hinges
- E energy rating
- N/ST/T climate class
- Noise max. 41dB
- 187W total power
- Cable with UK plug (13A connection)
- W540 x H1770 x D545mm



REFRIGERATION

INTEGRATED TALL



FFTL60E

STATIC TALL LARDER FRIDGE

CATA 300

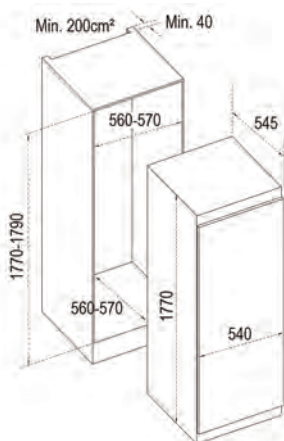


KEY FEATURES

294 Litre Capacity (net) • Static Refrigeration System
Electronic Button Control with White LED Indicators
Auto Defrost • Turbo Fan • Super Cool Function

SPECIFICATION

- White cabinet and white door
- Side opening door (reversible)
- White LED cabinet lighting
- 1 large salad crisper with humidity control & glass cover
- 1 salad crisper with glass cover
- 1 bottle shelf and 4 door shelves
- 4 adjustable glass shelves
- Sliding door hinges
- E energy rating
- SN/N/ST climate class
- Noise max. 39dB
- 98W total power
- Cable with UK plug (13A connection)
- W540 x H1770 x D545mm



FFTFZ60E.1

FROST FREE TALL FREEZER

CATA 300

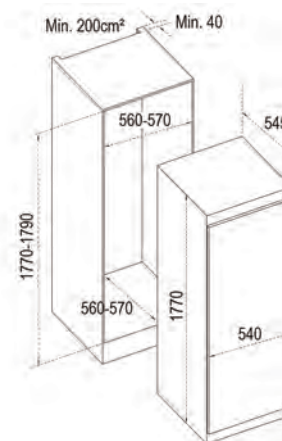


KEY FEATURES

197 Litre Capacity (net) • Turbo Fan
No Frost (Frost Free) Refrigeration System
Electronic Button Control with White LED Indicators
Fast Freeze Function • Freezer Shield

SPECIFICATION

- White cabinet and white door
- Side opening door (reversible)
- White LED cabinet lighting
- 2 large and 4 medium freezer drawers
- 2 compartments with flap covers
- Sliding door hinges
- E energy rating
- SN/N/ST/T climate class
- Noise max. 39dB
- 163W total power
- Cable with UK plug (13A connection)
- W540 x H1770 x D545mm





INTEGRATED TALL



CATADTLF60E
STATIC TALL LARDER FRIDGE

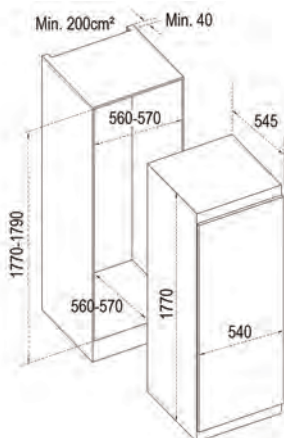


KEY FEATURES

**294 Litre Capacity (net) • Static Refrigeration System
Electronic Touch Control with White LED Display
Auto Defrost • Wine Shelf • Silver Trimming • UltraFresh
Turbo Fan • Super Cool Function • Fixed Hinges**

SPECIFICATION

- White cabinet and white door
- Full black control panel
- Side opening door (reversible)
- Top & side LED cabinet lighting
- 1 large salad crisper with humidity control & glass cover
- 1 salad crisper with glass cover
- 1 bottle shelf and 4 door shelves
- 4 adjustable glass shelves
- ECO energy saving mode
- E energy rating
- SN/N/ST climate class
- Noise max. 39dB
- 98W total power
- Cable with UK plug (13A connection)
- W540 x H1770 x D545mm



CATFFTFZ60E
FROST FREE TALL FREEZER

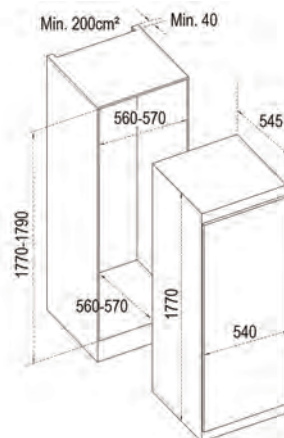


KEY FEATURES

**197 Litre Capacity (net) • Turbo Fan • Freezer Shield
No Frost (Frost Free) Refrigeration System • Fast Freeze
Electronic Button Control with White LED Display
Silver Trimming • ArcticTwist Ice Maker • Fixed Hinges**

SPECIFICATION

- White cabinet and white door
- Full black control panel
- Side opening door (reversible)
- White LED cabinet lighting
- 2 large and 4 medium freezer drawers
- 2 compartments with flap covers
- ECO energy saving mode
- E energy rating
- SN/N/ST/T climate class
- Noise max. 40dB
- 163W total power
- Cable with UK plug (13A connection)
- W540 x H1770 x D545mm





LAUNDRY



LAUNDRY

LAUNDRY RANGE OVERVIEW

INTEGRATED LAUNDRY

CATA 100



UBV70WM p135

CATA 300



UBV80WM p136



UBV85WD p136

CATA 700



CAT1003WMSS p138

LAUNDRY FEATURES & BENEFITS

Introduction

Discover the perfect blend of efficiency and elegance with our integrated washing machines. Whether you're tackling tough stains or caring for delicate fabrics, our machines are designed to deliver exceptional performance with every cycle. Featuring advanced functionalities like a variety of wash programmes, water and energy-saving modes, and user-friendly controls, you can customise each wash to your specific requirements.

* Note - not all features are available on all Cata models, please refer to individual model specs for details.

Digital Display

Included on all Cata models, the clear digital display shows the programme time, temperature, spin speed, delay timer and any extra functions you have selected.



Steam Assist

The Steam Assist function on our washing machine improves laundry by adding steam to the cycle. It deeply penetrates fabrics to remove tough stains like wine or grass without chemicals, sanitizes by killing bacteria and allergens - ideal for bedding or sensitive skin - and reduces wrinkles, minimising ironing.



ECO-Logic Half Load

Our latest generation of laundry appliances include this clever technology. The machine can detect whether it is half-loaded or not, if it is energy consumption is automatically reduced by up to 50%. Additionally, water consumption and program duration are dramatically decreased. (UBV models only)



Aquaball

The Aquaball feature on Cata's latest laundry machines is a special ball valve designed to maximise detergent efficiency and minimise detergent waste. It prevents up to 30% of detergent from being pumped away with the dirty water during the wash cycle. This ensures nearly all detergent is used to clean your clothes. (UBV models only)



Allergy Care

The allergy care feature on our washing machines removes all allergens on the laundry and provides hygienic drying performance. It reduces allergens like dust mites and pollen using high temperatures washing, extra rinses, and sometimes steam to kill bacteria and remove irritants. It's ideal for sensitive skin or allergy sufferers, ensuring cleaner, safer laundry.



INTEGRATED LAUNDRY



UBV70WM 7KG WASHING MACHINE

CATA 100



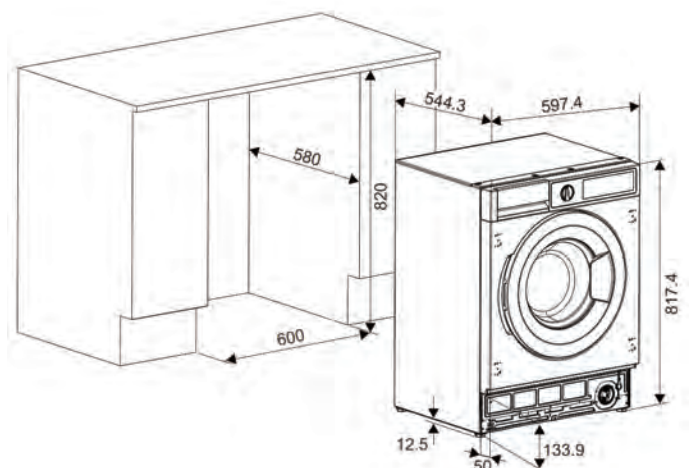
KEY FEATURES

- 7kg Load Capacity · 1400rpm Max Spin Speed
- Rotary & Button Control with Amber LED Display
- 15 Wash Programmes · 3 Wash Options · ECO-Logic Half Load



SPECIFICATION

- White/grey control panel, casing and door
- Aquaball detergent waste reduction feature
- Temperature & spin speed control
- Delay timer, child lock and memory functions
- Foam protection, Unbalance and Overflow protection
- Ø300mm door
- Stainless steel drum
- BLDC inverter motor
- 2100W total power
- Noise max. 53dB (wash) / 76dB (spin)
- A energy rating
- 45kWh / 100 cycles (wash)
- Cable with UK plug (13A connection)
- W597 x H817 x D544 mm



INTEGRATED LAUNDRY



UBV80WM

8KG WASHING MACHINE

CATA 300

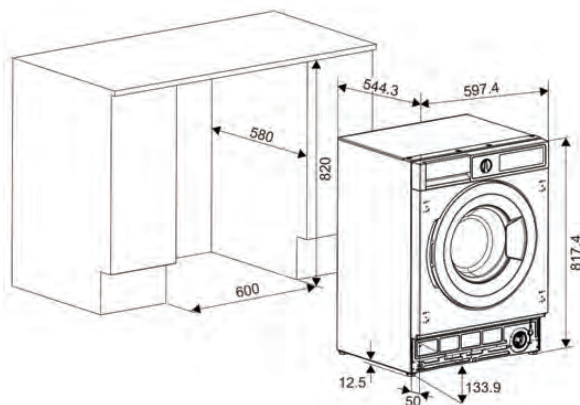


KEY FEATURES

**8kg Load Capacity · 1400rpm Max Spin Speed · Steam Wash
Rotary & Button Control · White LED Display
15 Wash Programmes · 5 Wash Options · ECO-Logic Half Load**

SPECIFICATION

- Black control panel, white casing and door
- Aquaball detergent waste reduction feature
- Temperature & spin speed control
- Delay timer, child lock and memory functions
- Foam protection, Unbalance and Overflow protection
- Ø300mm door
- Stainless steel drum
- BLDC inverter motor
- 2100W total power
- Noise max. 46dB (wash) / 74dB (spin)
- A energy rating
- 47kWh / 100 cycles (wash)
- Cable with UK plug (13A connection)
- W597 x H817 x D544 mm



UBV85WD

8/5KG WASHER DRYER

CATA 300

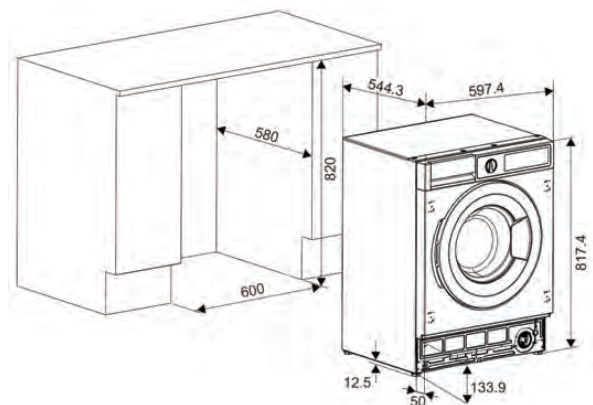


KEY FEATURES

**8kg Wash/5kg Dry Load Capacity · 1400rpm Max Spin Speed
Rotary & Button Control with White LED Display
15 Wash/Dry Programmes · 5 Wash/Dry Options · ECO-Logic Half Load**

SPECIFICATION

- Black control panel, white casing and door
- 3 drying levels
- Aquaball detergent waste reduction feature
- Temperature & spin speed control
- Delay timer, child lock and memory functions
- Foam protection, Unbalance and Overflow protection
- Ø330mm door
- Stainless steel drum
- BLDC inverter motor
- 1850W total power
- Noise max. 53dB (wash) / 75dB (spin) / 64dB (dry)
- A/E energy rating
- 47kWh / 100 cycles (wash)
- 326kWh / 100 cycles (wash & dry)
- Cable with UK plug (13A connection)
- W597 x H817 x D544 mm



INTEGRATED LAUNDRY



INTEGRATED LAUNDRY



CAT1003WMSS 10KG WASHING MACHINE

CATA 700

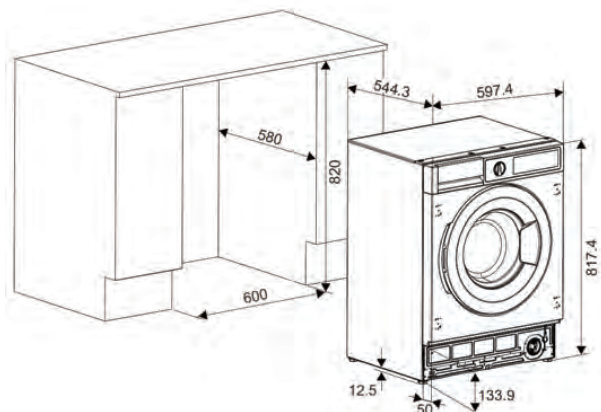


KEY FEATURES

**10kg Load Capacity • Stainless / Black Finish • Steam Wash
Electronic Rotary & Touch Control • White LED Display
15 Wash Programmes • 5 Wash Options • ECO-Logic Half Load
1400rpm Max Spin Speed • Water & Energy Usage Indicators**

SPECIFICATION

- Full black control panel and detergent drawer
- Stainless steel front panel
- Ø300mm black door
- 12min. Super Rapid, Satin Care and Allergy Safe programs
- Extra rinse function
- Temperature, spin speed & steam assist control
- Easy ironing, rapid wash, stain type settings
- Speed mode for reduced wash programme duration
- Aquaball detergent waste reduction feature
- 1-23 hr delay timer
- Child lock and memory functions
- Foam protection
- Unbalance and Overflow protection
- Stainless steel drum
- BLDC inverter motor
- 2100W total power
- Noise max. 46dB (wash) / 74dB (spin)
- A energy rating
- 47kWh / 100 cycles (wash)
- Cable with UK plug (13A connection)
- W597 x H817 x D544 mm



LAUNDRY



DISHWASHERS



DISHWASHER RANGE OVERVIEW

INTEGRATED DISHWASHERS

CATA 300



UBMD45M.1 p143



UBMD60M.1 p144

CATA 500



UB45DW10SH p145



UB60DW16SH p146

DISHWASHER FEATURES & BENEFITS

Introduction

Add sleek sophistication to your kitchen with Cata's fully integrated dishwashers, designed to blend seamlessly behind full-height furniture doors for a minimalist look. Easy to use, the controls reveal themselves only when the door is opened, and installation is simple with just a decor door and base plinth needed.

Choose between a slimline 45cm or spacious 60cm models, our latest packed with features like topcutlery tray, LED interior lighting, floor status light, sliding doors, rapid wash, turbo drying, quiet 45dB operation and upto 16 place setting capacity.

* Note - not all features are available on all Cata models, please refer to individual model specs for details.

Sliding Door

The sliding door system uses a hinge that attaches the dishwasher door to the cabinet door, allowing the cabinet door to slide upwards when the dishwasher door is opened. It eliminates the need to cut a hole or notch in the baseboard or plinth, ensuring a clean and seamless look.



Interior Lighting

Our Cata 500 models feature an internal LED light which brightens the interior, making it easier to load and unload dishes, especially in dim kitchens or at night. It helps you spot missed spots, ensure proper placement for cleaning, and check for leftover food or detergent residue. This small feature boosts convenience, improves cleaning accuracy, and ensures nothing gets overlooked, saving time and effort.



Adjustable Upper Basket

The upper basket can be repositioned higher or lower, depending on your needs. On Cata 300 models this is when the basket is unloaded, but on our new Cata 500 models, the upper basket has 3 level adjustment and can be raised or lowered even when loaded.



Flexi-Tray Top Rack

The upper cutlery tray is designed to place forks, spoons and knives, long utensils and small items. With our Flexi-Tray it is possible to slide sections over each other, to create an extra height for taller glasses, dishes or pans in the upper basket.

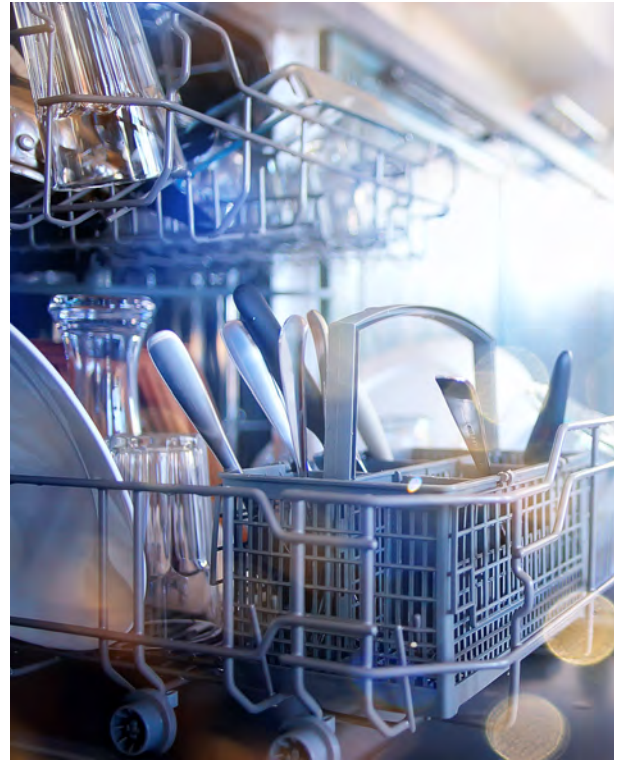


Floor Status Light

Our new Cata 500 models feature a floor LED status light, which shows you the status of the wash cycle. Red light when programme is running, and green when the programme has completed.



INTEGRATED DISHWASHERS



UBMD45M.1

SLIMLINE DISHWASHER

CATA 300

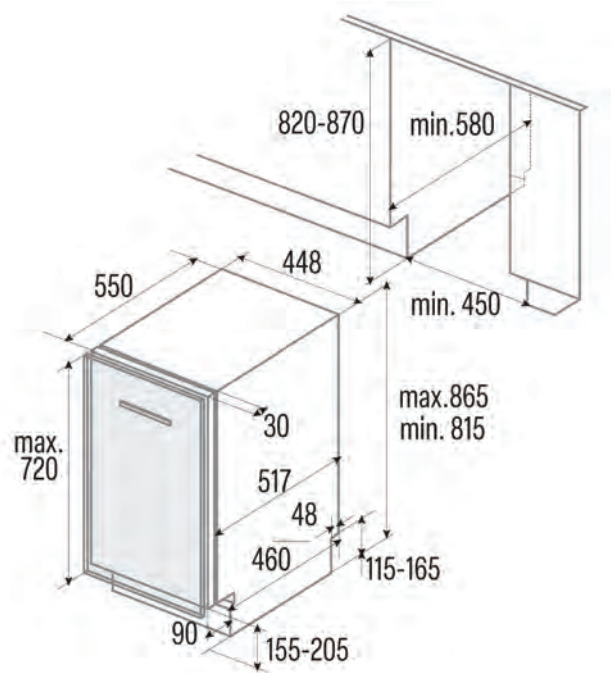


KEY FEATURES

9 Place Settings · 4 Wash Programmes
Button Controls with White LED Indicators
Cutlery Basket · Natural Drying

SPECIFICATION

- 2 grey baskets (upper & lower)
- Removable cutlery basket
- Silver control panel
- Adjustable upper basket (unloaded)
- 3 spray levels
- Natural drying
- 3/6/9/12h delay start timer
- 2100W total power
- Noise max. 49dB
- E energy rating
- 70kWh / 100 cycles
- Cable with UK plug (13A connection)
- W448 x H815/865 x D550mm



INTEGRATED DISHWASHERS



UBMD60M.1

DISHWASHER

CATA 300

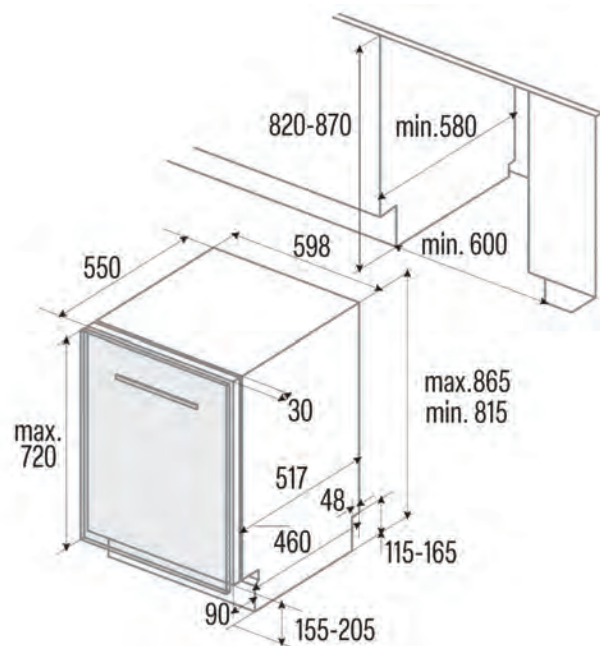


KEY FEATURES

12 Place Settings • 4 Wash Programmes
Button Controls with White LED Indicators
Cutlery Basket • Natural Drying

SPECIFICATION

- 2 grey baskets (upper & lower)
- Removable cutlery basket
- Silver control panel
- Adjustable upper basket (unloaded)
- Half load function
- Stainless steel tub
- 3 spray levels
- Natural drying
- 3/6/9/12h delay start timer
- 2100W total power
- Noise max. 49dB
- E energy rating
- 92kWh / 100 cycles
- Cable with UK plug (13A connection)
- W598 x H815/865 x D550mm



INTEGRATED DISHWASHERS



UB45DW10SH

SLIMLINE SLIDING DOOR DISHWASHER

CATA 500



BENEFITS

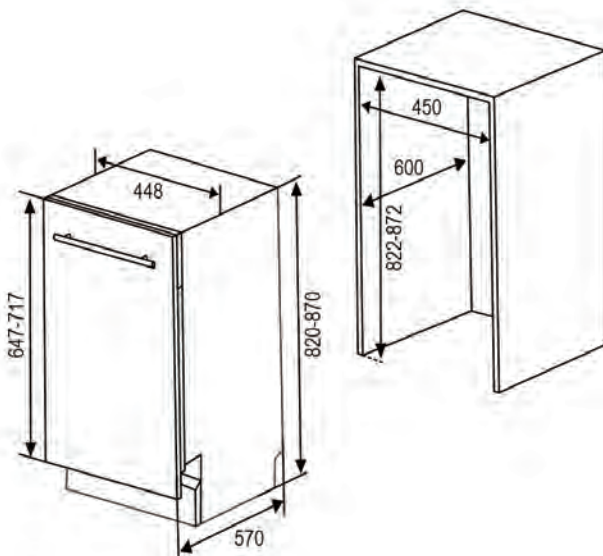
- LED interior light makes checking on your dishes a doddle.
- Convenient status LED floor light to aid keeping progress of the wash cycle.
- Soft touch edging to folding cup shelves for protecting delicate wine glasses.

KEY FEATURES

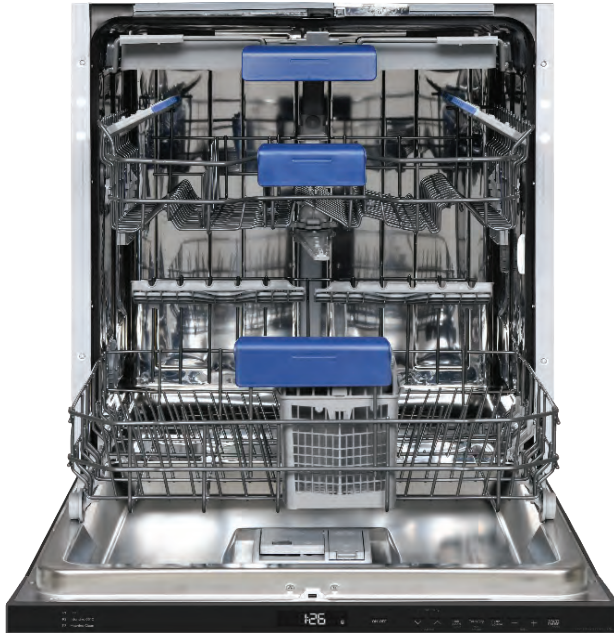
10 Place Settings • 6 Wash Programmes
Button Controls with White LED Display
Top Cutlery Rack • Turbo Drying • Sliding Door Hinges

SPECIFICATION

- Grey lower basket with multifunctional racks
- Adjustable grey upper basket
- Soft-touch cup racks
- Easy-tray top rack
- Removable cutlery basket
- Black control panel
- Half load & extra dry functions plus save power mode
- Stainless steel tub with anti-bacterial filter
- Interior LED lighting
- Status LED floor light
- 3 spray levels
- Turbo drying
- Sliding door hinges (40mm)
- 1-24h delay start timer 1900W total power
- Noise max. 45dB
- E energy rating
- 76kWh / 100 cycles
- Cable with UK plug (13A connection)
- W448 x H820/870 x D570mm



INTEGRATED DISHWASHERS



UB60DW16SH

SLIDING DOOR DISHWASHER

CATA 500



BENEFITS

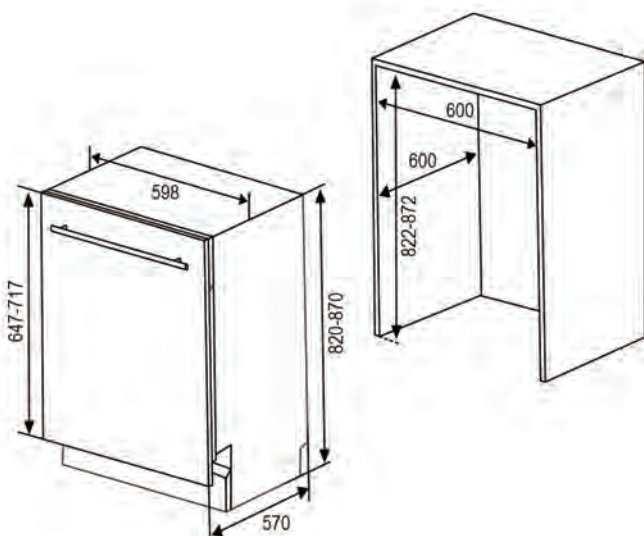
- Huge 16 place setting capacity.
- LED interior light makes checking on your dishes a doddle.
- Convenient status LED floor light to aid keeping progress of the wash cycle.
- Soft touch edging to folding cup shelves for protecting delicate wine glasses.

KEY FEATURES

**16 Place Settings • 6 Wash Programmes • Turbo Drying
Button Controls with White LED Indicators
Top Cutlery Rack with Sliding Trays • Sliding Door Hinges**

SPECIFICATION

- Grey lower basket with multifunctional racks
- Adjustable grey upper basket
- Soft-touch cup racks
- Flexi-tray top rack
- Removable cutlery basket
- Black control panel
- Half load, extra dry & extra hygiene functions plus save power mode
- Stainless steel tub with anti-bacterial filter
- Interior LED lighting
- Status LED floor light
- 3 spray levels
- Turbo drying
- Sliding door hinges (40mm)
- 1-24h delay start timer
- 1900W total power
- Noise max. 45dB
- E energy rating
- 98kWh / 100 cycles
- Cable with UK plug (13A connection)
- W598 x H820/870 x D570mm



Cata UK Guarantee



Cata Appliances UK - Your Peace of Mind, Guaranteed.

All Cata appliances come with a comprehensive warranty for your confidence and convenience. Register your product and you will benefit from extended cover free of charge:

	3 YR LABOUR + 5 YR PARTS	2 YR LABOUR + 5 YR PARTS	2 YR LABOUR + 2 YR PARTS	1 YR LABOUR + 1 YR PARTS
CATA BRANDED APPLIANCES	YES (after registration)	N/A	YES (unregistered)	N/A
UNBRANDED APPLIANCES	N/A	YES (after registration)	YES (unregistered)	N/A
MICROWAVES	N/A	N/A	N/A	YES

This means we will cover all costs for both parts and labour required to repair your appliance in a domestic environment. Our commitment ensures that any issues resulting from faulty materials or workmanship will be resolved promptly and professionally using only genuine Cata parts.

We are dedicated to delivering long-lasting performance and reliability, giving you complete peace of mind with every product.

For full warranty details and terms & conditions, please visit the official Cata UK website. Or register your guarantee here <https://yourappliancecover.co.uk/cata>



Customer Services



UK 0344 800 1128

IE 01 4475261

service@cata-appliances.co.uk

cata 



CATA UK

c/o Apelson Appliances UK Ltd

Good Hope Close, Normanton Industrial Estate, Normanton, West Yorkshire, WF6 1TR, United Kingdom

Trade Sales: 01977 628 109

Email: sales@cata-appliances.co.uk



cata-appliances.co.uk



[cataUK](https://www.linkedin.com/company/cataUK)



[Cata Appliances UK](https://www.facebook.com/CataAppliancesUK)



[cata.appliances.uk](https://www.instagram.com/cata.appliances.uk)



CATA GROUP

Headquarters: c/ Anabel Segura, 11, Edif. A, 3a pl. 28108. Alcobendas (Madrid. Spain)

Factory: c/ del Ter, 2, Apdo. 9. 08570. Torelló (Barcelona. Spain)

Tlf: +34 938 594 100.- Fax +34 938 594 101.

www.cata.es

www.cnagroup.es

AAUK-CAT-KACB26-V2